

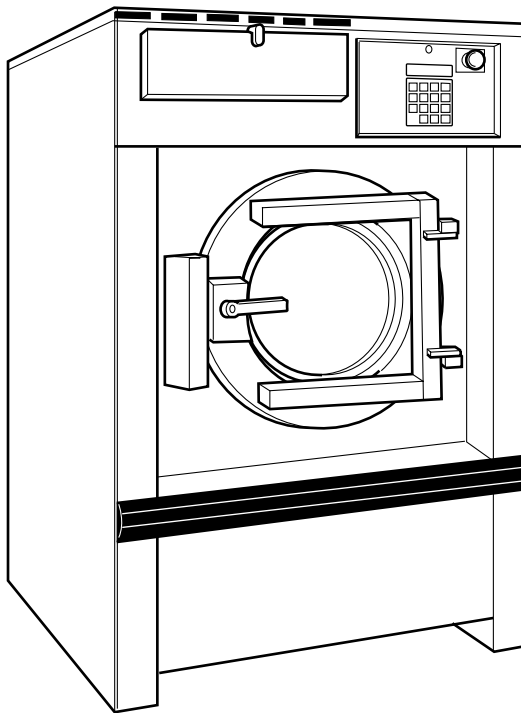
Washer-Extractor

Cabinet Freestanding

Model Numbers

BF35PV	SF35PV	UF35PV
BF50PV	SF50PV	UF50PV
BF85PV	SF85PV	UF85PV

NOTA: El manual en español aparece después del manual en inglés.



Installation/Maintenance

Table of Contents

Installation/Maintenance

Safety

Key to Symbols	4
Operator Safety	5
Safe Operating Environment	6
Environmental Conditions.....	6
Machine Location.....	7
Input and Output Services	7
AC Inverter Drive	8
Misuse	8

Installation

Machine Overview	9
Emergency Stop Button	10
Wet Clean Features.....	10
Delivery Inspection	10
Customer Service	10
Model Number Familiarization Guide	11
General Specifications for 35-Pound, 50-Pound and 85-Pound Models	12
Machine Dimensions.....	14
Dimensional Clearances.....	14
Machine Foundation.....	18
Mechanical Installation	19
Mounting Bolt Installation for 35-Pound 50-Pound and 85-Pound Capacity Models.....	19
Drain Connection	23

Water Connection	25
Electrical Installation.....	27
Steam Requirements (Steam Heat Option Only)	29
Chemical Injection Supply System	30
Supply Compartments	31
Connecting External Supplies.....	31
Electrical Connections for Chemical Injection Supply Systems.....	31
Premium Wet Clean Module	33
Control Function Test	42
Wet Clean Processing	44

Maintenance

Daily	45
Beginning of Day.....	45
End of Day	46
Weekly	46
Monthly	46
Quarterly	48
Care of Stainless Steel	49
Maintenance Checklists.....	50

Removal from Service

Decommissioning	55
-----------------------	----

© Copyright 1999, Alliance Laundry Systems LLC


All rights reserved. No part of the contents of this book may be reproduced or transmitted in any form or by any means without the expressed written consent of the publisher.


Section 1


Safety


Anyone operating or servicing this machine must follow the safety rules in this manual. Particular attention must be paid to the **DANGER, WARNING, and CAUTION** blocks which appear throughout the manual.

The following warnings are general examples that apply to this machine. Warnings specific to a particular installation or maintenance procedure will appear in the manual with the discussion of that procedure.


	CAUTION
Be careful around the open door, particularly when loading from a level below the door. Impact with door edges can cause personal injury.	
SW025	


	DANGER
Death or serious injury can result if children become trapped in the machine. Do not allow children to play on or around this machine. Do not leave children unattended while the machine door is open.	
SW001	

	WARNING
Dangerous voltages are present in the electrical control box(es) and at the motor terminals. Only qualified personnel familiar with electrical test procedures, test equipment, and safety precautions should attempt adjustments and troubleshooting. Disconnect power from the machine before removing the control box cover, and before attempting any service procedures.	
SW005	

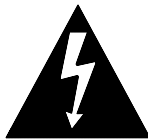
	WARNING
This machine must be installed, adjusted, and serviced by qualified electrical maintenance personnel familiar with the construction and operation of this type of machinery. They must also be familiar with the potential hazards involved. Failure to observe this warning may result in personal injury and/or equipment damage, and may void the warranty.	
SW004	

Safety

	CAUTION
Ensure that the machine is installed on a level floor of sufficient strength and that the recommended clearances for inspection and maintenance are provided. Never allow the inspection and maintenance space to be blocked.	
SW020	

	WARNING
Never touch internal or external steam pipes, connections, or components. These surfaces can be extremely hot and will cause severe burns. The steam must be turned off and the pipe, connections, and components allowed to cool before the pipe can be touched.	
SW014	

Key To Symbols



The lightning flash and arrowhead within the triangle is a warning sign indicating the presence of dangerous voltage.



This warning symbol indicates the presence of possibly dangerous chemicals. Proper precautions should be taken when handling corrosive or caustic materials.



The exclamation point within the triangle is a warning sign indicating important instructions concerning the machine and possibly dangerous conditions.



This warning symbol indicates the presence of hot surfaces that could cause serious burns. Stainless steel and steam lines can become extremely hot and should not be touched.



This warning symbol indicates the presence of potentially dangerous drive mechanisms within the machine. Guards should always be in place when the machine is in operation.




This warning symbol indicates the presence of possibly dangerous pinch-points. Moving mechanical parts can crush and/or sever body parts.

Safety

To provide personal safety and keep the machine in proper working order, follow all maintenance and safety procedures presented in this manual. If questions regarding safety arise, contact the factory immediately.

Use factory-authorized spare parts to avoid safety hazards.

Operator Safety

	WARNING
NEVER insert hands or objects into basket until it has completely stopped. Doing so could result in serious injury.	
SW012	

To ensure the safety of machine operators, the following maintenance checks must be performed daily:


1. Prior to operating the machine, verify that all warning signs are present and legible. Missing or illegible signs must be replaced immediately. Make certain that spares are available.
2. Check door interlock before starting operation of the machine:
 - a. Attempt to start the machine with the door open. The machine should not start with the door open.
 - b. Close the door without locking it and attempt to start the machine. The machine should not start with the door unlocked.

- c. Close and lock the door and start a cycle. Attempt to open the door while the cycle is in progress. The door should not open.

If the door lock and interlock are not functioning properly, call a service technician.

3. Do not attempt to operate the machine if any of the following conditions are present:
 - a. The door does not remain securely locked during the entire cycle.
 - b. Excessively high water level is evident.
 - c. Machine is not connected to a properly grounded circuit.

Do not bypass any safety devices in the machine.

	WARNING
Never operate the machine with a bypassed or disconnected out-of-balance switch. Operating the machine with severe out-of-balance loads could result in personal injury and serious equipment damage.	
SW010	

Safety

Safe Operating Environment

Safe operation requires an appropriate operating environment for both the operator and the machine. If questions regarding safety arise, contact the factory immediately.

Environmental Conditions

- *Ambient Temperature.* Water in the machine will freeze at temperatures of 32° F or below.


Temperatures above 120° F (50° C) will result in more frequent motor overheating and, in some cases, malfunction or premature damage to solid state devices that are used in some models. Special cooling devices may be necessary.

Water pressure switches are affected by increases and decreases in temperature. Every 25° F (10° C) change in temperature will have a 1% effect on the water level.

- *Humidity.* Relative humidity above 90% may cause the machine's electronics or motors to malfunction or may trip the ground fault interrupter. Corrosion problems may occur on some metal components in the machine.

If the relative humidity is below 30%, belts and rubber hoses may eventually develop dry rot. This condition can result in hose leaks, which may cause safety hazards external to the machine in conjunction with adjacent electrical equipment.

- *Ventilation.* The need for make-up air openings for such laundry room accessories as dryers, ironers, water heaters, etc., must be evaluated periodically. Louvers, screens, or other separating devices may reduce the available air opening significantly.
- *Radio Frequency Emissions.* A filter is available for machines in installations where floor space is shared with equipment sensitive to radio frequency emissions.
- *Elevation.* If the machine is to be operated at elevations of over 3,280 feet (1,000 meters) above sea level, pay special attention to water levels and electronic settings (particularly temperature) or desired results may not be achieved.
- *Chemicals.* Keep stainless steel surfaces free of chemical residues.

	DANGER
Do not place volatile or flammable fluids in any machine. Do not clean the machine with volatile or flammable fluids such as acetone, lacquer thinners, enamel reducers, carbon tetrachloride, gasoline, benzene, naphtha, etc. Doing so could result in serious personal injury and/or damage to the machine.	
SW002	


- *Water Damage.* Do not spray the machine with water. Short circuiting and serious damage may result. Repair immediately all seepage due to faulty gaskets, etc.

Machine Location

- **Foundation.** The concrete floor must be of sufficient strength and thickness to handle the floor loads generated by the high extract speeds of the machine.
- **Service/Maintenance Space.** Provide sufficient space to allow comfortable performance of service procedures and routine preventive maintenance.

This is especially important in connection with machines equipped with an AC inverter drive.

Consult installation instructions for specific details.

	CAUTION
Replace all panels that are removed to perform service and maintenance procedures. Do not operate the machine with missing guards or with broken or missing parts. Do not bypass any safety devices. SW019	

Input and Output Services

- **Water Pressure.** Best performance will be realized if water is provided at a pressure of 30 – 85 psi (2.0 – 5.7 bar). Although the machine will function properly at lower pressure, increased fill times will occur. Water pressure higher than 100 psi (6.7 bar) may result in damage to machine plumbing. Component failure(s) and personal injury could result.

- **Steam Heat (Optional) Pressure.** Best performance will be realized if steam is provided at a pressure of 30 – 80 psi (2.0 – 5.4 bar). Steam pressure higher than 125 psi (8.5 bar) may result in damage to steam components and may cause personal injury.


For machines equipped with optional steam heat, install piping in accordance with approved commercial steam practices. Failure to install the supplied steam filter may void the warranty.

- **Compressed Air.** For machines requiring compressed air service, best performance will be realized if air is provided at a pressure of 80 – 100 psi (5.4 – 6.7 bar). Large capacity machines could experience door seal failure if compressed air service is interrupted.
- **Drainage System.** Provide drain lines or troughs large enough to accommodate the total number of gallons that could be dumped if all machines on the site drained at the same time from the highest attainable level. If drain troughs are used, they should be covered to support light foot traffic.

- **Power.** For personal safety and for proper operation, the machine must be grounded in accordance with state and local codes. The ground connection must be to a proven earth ground, not to conduit or water pipes. Do not use fuses in place of the circuit breaker. An easy-access cutoff switch should be provided.

Safety

Safe Operating Environment (Continued)

	WARNING
<p>Ensure that a ground wire from a proven earth ground is connected to the ground lug near the input power block on this machine. Without proper grounding, personal injury from electric shock could occur and machine malfunctions may be evident.</p>	
<small>SW008</small>	

Always disconnect power and water supplies before a service technician performs any service procedure. Where applicable, steam and/or compressed air supplies should also be disconnected before service is performed.

AC Inverter Drive

Machines equipped with the AC inverter drive require special attention with regard to the operating environment.

- An especially dusty or linty environment will require more frequent cleaning of the AC inverter drive cooling fan filter and of the AC inverter drive itself.
- Power line fluctuations from sources such as uninterruptible power supplies (UPS) can adversely affect machines equipped with the AC inverter drive. Proper suppression devices should be utilized on the incoming power to the machine to avoid problems.

- A clean power supply free from voltage spikes and surges is absolutely essential for machines equipped with the AC inverter drive. Nonlinear inconsistencies (peaks and valleys) in the power supply can cause the AC inverter drive to generate nuisance errors.

If voltage is above 230V for 200V installations or above 440V for 400V installations, a buckboost transformer is recommended. If voltage is above 240 or 480, a buckboost transformer is required.

- Sufficient space to perform service procedures and routine preventive maintenance is especially important for machines equipped with the AC inverter drive.

Misuse

Never use this machine for any purpose other than washing fabric.

- Never wash petroleum-soaked rags in the machine. This could result in an explosion.
- Never wash machine parts or automotive parts in the machine. This could result in serious damage to the basket.
- Never allow children to play on or around this machine. Death or serious injury can result if children become trapped in the machine. Do not leave children unattended while the machine door is open. These cautions apply to animals as well.

Section 2

Installation

This manual is designed as a guide to the installation and maintenance of the 35-pound, 50-pound, and 85-pound capacity freestanding washer-extractors.

The manuals, installation instructions, and wiring diagrams which accompany the machine have been included with the machine at no charge. Additional copies are available at a nominal charge.

Note: All information, illustrations, and specifications contained in this manual are based on the latest product information available at the time of printing. We reserve the right to make changes at any time without notice.

Machine Overview

The design of the washer-extractor emphasizes performance and long service life. The cylinder, shell, and main body panels are fabricated of stainless steel.

The washer-extractor features the WE-6 microcomputer which offers 39 preprogrammed cycles and programming versatility in the field.

The AC inverter drive control provides programmable motor speeds using a single motor. This makes it possible to achieve ultra-high extract speeds.

The cylinder is supported by roller bearings housed inside a trunnion.

The cylinder is constructed with four lifters or ribs that lift the laundry from the bath solution when the cylinder rotates at slow speed and then allow it to tumble back into the bath. This mechanical action accomplishes the cleaning function. The cylinder is perforated, allowing the water to drain from within during the wash and extract steps.

The supply dispenser is located on the upper left side of the control panel. The supply dispenser compartments are accessed by unlatching the supply dispenser cover door. These compartments accept powder or liquid supplies. Each compartment is controlled independently by the WE-6 computer.

Electrical controls for the washer-extractor are housed in separate enclosures. The front control module is located just behind the keypad and control panel. It houses the WE-6 computer board, a fuse/relay board, and other functional electrical components. The rear control module houses the AC inverter drive and its components.

A door-lock system prevents opening of the door when water is in the washer-extractor. It also prevents operation of the washer-extractor when the door is open.

Installation

Machine Overview (Continued)

The doorbox contains the Hall-effect door-closed sensor, door-open sensor, and the door-unlock solenoid.

Electromechanical valves control water flow into the washer-extractor.

Emergency Stop Button

A red emergency stop button is located on the right side of the machine front. Push the button to stop the machine.

Wet Clean Features

The washer-extractor is equipped with the following wet clean capable features: One-half wash speed allows gentle mechanical action during wash. Eight supply signals provide not only normal laundering signals to dispense detergents, bleaches, softeners, sour, etc., but also chemicals unique to wet clean processing.

Delivery Inspection

Upon delivery, visually inspect crate, protective cover, and unit for any visible shipping damage. If the crate, protective cover, or unit are damaged or signs of possible damage are evident, have the carrier note the condition on the shipping papers before the shipping receipt is signed, or advise the carrier of the condition as soon as it is discovered.

Remove the crate and protective cover as soon after delivery as possible. If any damage is discovered upon removal of the crate and/or protective cover, advise the carrier and file a written claim immediately.

Customer Service

If literature or replacement parts are required, contact the source from whom the machine was purchased or contact Alliance Laundry Systems at (920) 748-3950 for the name of the nearest authorized parts distributor.

For technical assistance, call any of the following numbers:

(850) 718-1035

(850) 718-1026

Marianna, Florida

(920) 748-3121

Ripon, Wisconsin

A record of each machine is on file with the manufacturer. The serial number decal is located at the rear of the machine. Figure 1 shows the location of the serial number on the decal. Always provide the machine's serial number and model number when ordering parts or when seeking technical assistance.

Installation

Model Number Familiarization Guide	
Sample Model Number: UF50PVQU10001	
UF	Model Number Prefix
50	Machine Capacity (pounds dry weight)
P	Type of Electrical Control P = WE-6 Computer
V	Machine Speed Capabilities V = 7 Speeds
Q	Electrical Characteristics See Voltage Designation Chart in this section.
U3	Design Series
0001	Option Identification (varies from machine to machine)

Model No.	UF50PVQU30001						
Serial No.	00000000000						
Voltage	200-240	Amps	15				
Required Circuit Breaker Amps	30						
Hz	60	Wire	3	Phase	3		
Max. Load	50	LB	23	KG	Max. Speed	900	RPM
Elec. Heating		KW	Steam Press.		PSI		BAR
<div style="border: 1px solid black; padding: 5px; margin: 0 auto; width: 80%;"> <p style="font-size: small; margin: 0;">ETL LISTED CONFORMS TO ANSI/UL STD. 1555 ANSI/UL STD. 1206</p> <p style="font-size: x-small; margin: 0;">ETL TESTING LABORATORIES, INC. CORTLAND, NEW YORK 13045</p> </div>							
Product No.	500000			Date Code			

G00311A

Figure 1

Installation

35-Pound, 50-Pound, and 85-Pound Models General Specifications			
	35	50	85
<i>Overall Dimensions</i>			
Overall width, in (mm)	35 (889)	39 (990)	46.5 (1181)
Overall height, in (mm)	55.4 (1407)	59.6 (1514)	70.1 (1781)
Overall depth, in (mm)	39 (992)	41.3 (1049)	50 (1270)
<i>Weight And Shipping Information</i>			
Net weight, lb (kg)	1212 (550)	1600 (726)	3000 (1362)
Domestic shipping weight, lb (kg)	1260 (572)	1650 (749)	3100 (1407)
Domestic shipping volume, ft ³ (m ³)	63.6 (1.80)	80 (2.26)	123 (3.46)
Export shipping weight, lb (kg)	1275 (580)	1750 (795)	3200 (1453)
Export shipping volume, ft ³ (m ³)	65.3 (1.85)	83.5 (2.36)	137 (3.86)
<i>Wash Cylinder Information</i>			
Cylinder diameter, in (mm)	26.25 (668)	30 (762)	36 (914)
Cylinder depth, in (mm)	18.375 (467)	20 (508)	24 (610)
Cylinder volume, ft ³ (l)	5.79 (164)	8.19 (232)	14.1 (400)
Perforation size, in (mm)	0.188 (4.77)	0.188 (4.77)	0.188 (4.77)
Perforation open area,%	23	23	23
<i>Door Opening Information</i>			
Door opening size, in (mm)	13.9 (354)	16.25 (413)	17.5 (445)
Height of door bottom above floor, in (mm)	25 (636)	23 (585)	32.7 (831)
<i>Water Consumption</i>			
Average water consumption per cycle, gal (l)	HOT	47 (178)	57 (216)
	COLD	21 (79)	26 (98)
Average hot water consumed per hour, gal (lit)	73 (276)	85 (322)	153 (579)
<i>Power Consumption</i>			
Average power used per cycle, kW-hr ³	0.4	0.6	0.9
Average HVAC load, BTU/hr (kcal/hr)	500 (125)	850 (213)	1200 (300)
Nominal sound emission, dBA	70	76	75
Background noise level, dBA	54	49	55
<i>Drive Train Information</i>			
Number of motors in drive train	1	1	1
Drive motor power, hp (kw)	3 (2.2)	5.0 (3.7)	7.5 (5.6)

Installation

35-Pound, 50-Pound, and 85-Pound Models General Specifications (Continued)			
	35	50	85
<i>Cylinder Speeds</i>			
Gentle wash/reverse speed, rpm	26	26	26
Wash/reverse speed, rpm	43	40	41
Distribution/drain speed, rpm	77	73	65
Medium extract speed, rpm	325	305	280
High extract speed 1, rpm	475	445	410
High extract speed 2, rpm	610	575	525
High extract speed 3, rpm	960	900	825
<i>Centrifugal Force Data</i>			
Gentle wash/reverse centrifugal force, Gs	0.25	0.29	0.345
Wash/reverse centrifugal force, Gs	0.69	0.68	0.858
Distribution/drain centrifugal force, Gs	2.2	2.3	2.16
Medium extract centrifugal force, Gs	40	40	40
High extract 1 centrifugal force, Gs	85	84	85.8
High extract 2 centrifugal force, Gs	140	141	141
High extract 3 centrifugal force, Gs	345	345	348
<i>Balance Detection</i>			
Vibration safety switch installed	Standard	Standard	Standard
<i>Direct Steam Heating (Optional)</i>			
Steam inlet connection size, in (mm)	0.5 (DN15)	0.5 (DN15)	0.5 (DN15)
Number of steam inlets	1	1	1
Steam required to raise bath temperature 10°F, lb (10°C, kg)	LOW	2.22 (1.6)	2.94 (2.12)
	MED	2.52 (1.81)	3.42 (2.46)
	HIGH	2.84 (2.04)	3.80 (2.73)
Average steam use per cycle, BHP (kg)	1.47 (23)	1.95 (30.6)	3.5 (54.9)
<i>Electric Heating (Optional)</i>			
Total electric heating capacity, kW	15.6	23.4	31.2
Number of electrical heat elements	6	9	12
Electrical heat element size, kW	2.6	2.6	2.6
Time required to raise bath temperature 10°F, min (10°C, min)	LOW	2.6 (3.9)	2.4 (3.6)
	MED	2.9 (4.5)	2.7 (4.2)
	HIGH	3.3 (5.0)	3.1 (4.7)

Installation

Machine Dimensions

See Figure 2 for dimensions of the 35-pound capacity models. See Figure 3 for dimensions of the 50-pound capacity models. See Figure 4 for dimensions of the 85-pound capacity models.

Note: The dimensions shown here are for planning purposes only. They are approximate and subject to normal manufacturing tolerances. If exact dimensions are required for construction purposes, contact the distributor or manufacturer. We reserve the right to make changes at any time without notice.

Dimensional Clearances

The table below shows recommended minimum clearances on all sides of the washer-extractor.

Recommended Minimum Clearances			
	35	50	85
Minimum rear clearance, in. (mm)	18 (450)	18 (450)	18 (450)
Minimum clearance between machine and wall, in. (mm)	6 (150)	6 (150)	6 (150)
Minimum clearance between machines (side), in. (mm)	1 (25.4)	1 (25.4)	1 (25.4)
Minimum front clearance, in. (mm)	21 (533)	23 (584)	23 (584)

Installation

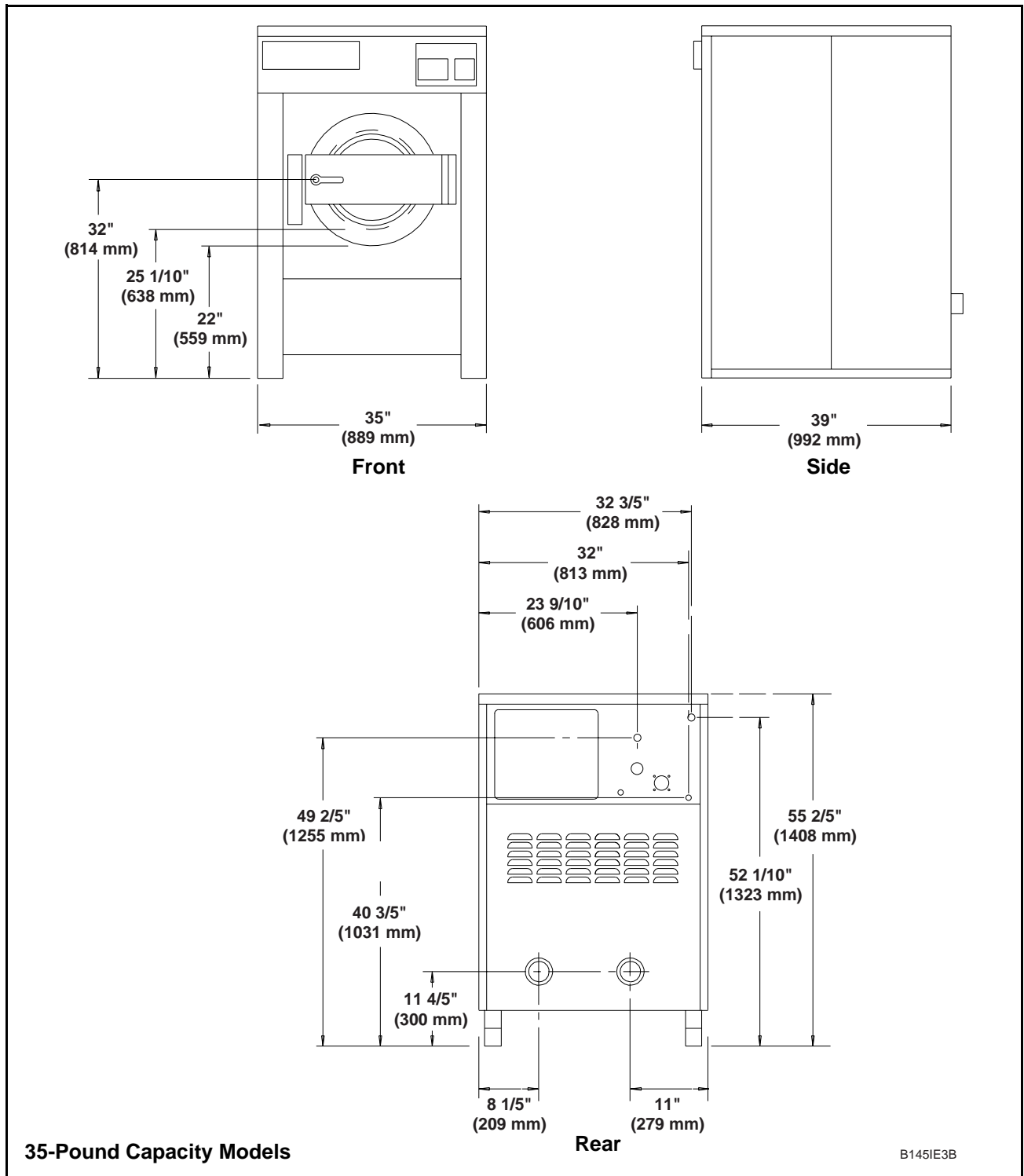


Figure 2

Installation

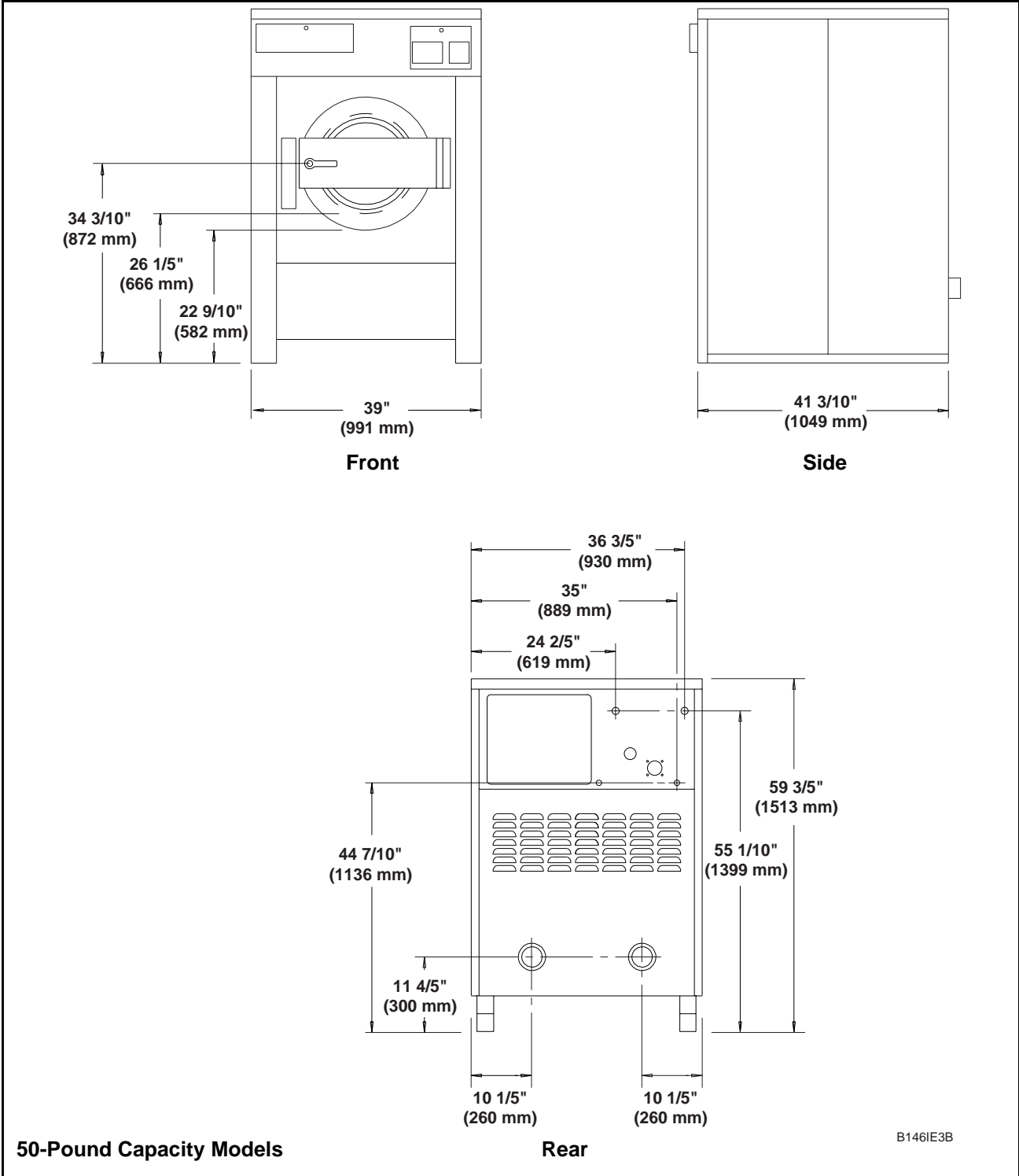


Figure 3

Installation

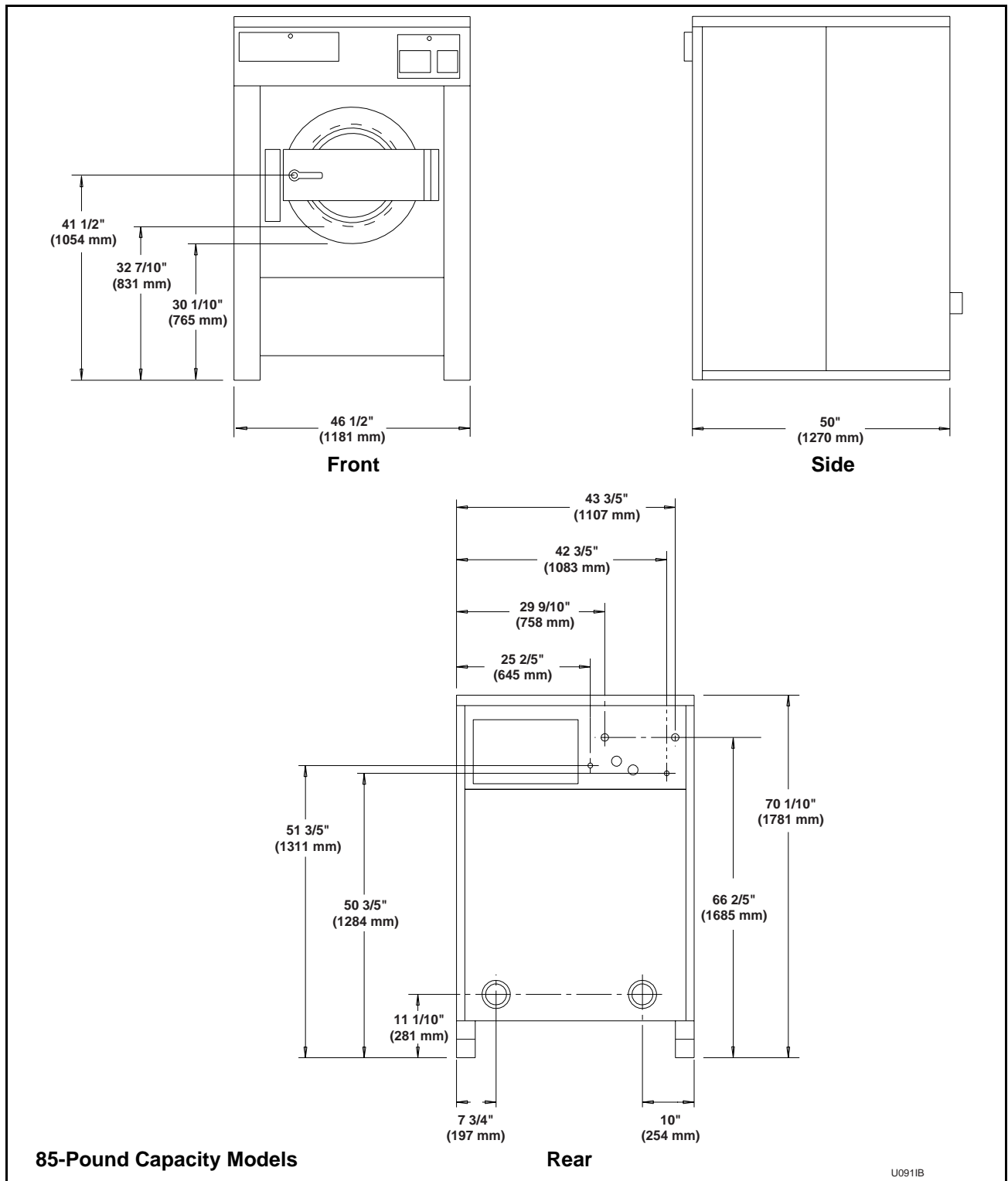



Figure 4

Installation

Machine Foundation

Thoroughness of detail must be stressed with all foundation work to ensure a stable unit installation, eliminating possibilities of excessive vibration during extract.

	CAUTION
<p>Ensure that the machine is installed on a level floor of sufficient strength and that the recommended clearances for inspection and maintenance are provided. Never allow the inspection and maintenance space to be blocked.</p>	
SW020	

The washer-extractor must be placed on a smooth level surface so that the entire base of the machine is supported and rests on the mounting surface. (Do not support the washer-extractor on only four points.)

The 35-pound, 50-pound, and 85-pound capacity washer-extractors do not require anchoring unless mandated by state or local codes.

Static and dynamic loads on the floor or foundation are shown in the table below. This table can be used as a reference when designing floors and foundations.

Floor Load Data			
	35	50	85
Static floor load, lbs (kN)	1453 (6.47)	1929 (8.58)	3452 (15.4)
Static pressure, lbs-ft ² (kN-m ²)	153 (7.32)	172 (8.23)	214 (10.3)
Dynamic floor load, lbs (kN)	150 (0.67)	200 (0.89)	400 (1.78)
Maximum dynamic load, lbs (kN)	150 (0.67)	200 (0.89)	400 (1.78)
Dynamic pressure, lbs-ft ² (kNm ²)	15.8 (0.76)	17.9 (0.86)	24.8 (1.19)

Installation

Mechanical Installation

Mounting Bolt Installation for 35-Pound, 50-Pound, and 85-Pound Capacity Models

See Figure 5 for the mounting bolt layout for 35-pound capacity models. See Figure 6 for the mounting bolt layout for 50-pound capacity models. See Figure 7 for the mounting bolt layout for 85-pound capacity models. (The front of the washer-extractor is the bottom of the diagram.) See Figure 8 for detailed information regarding the machine anchor bolt that should be used.

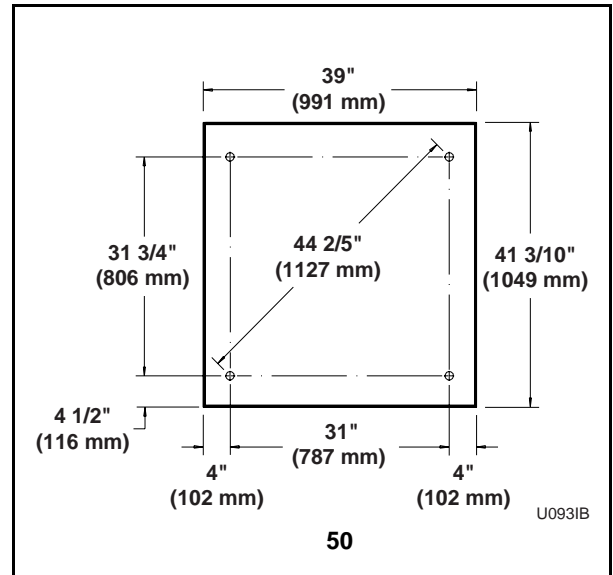


Figure 6

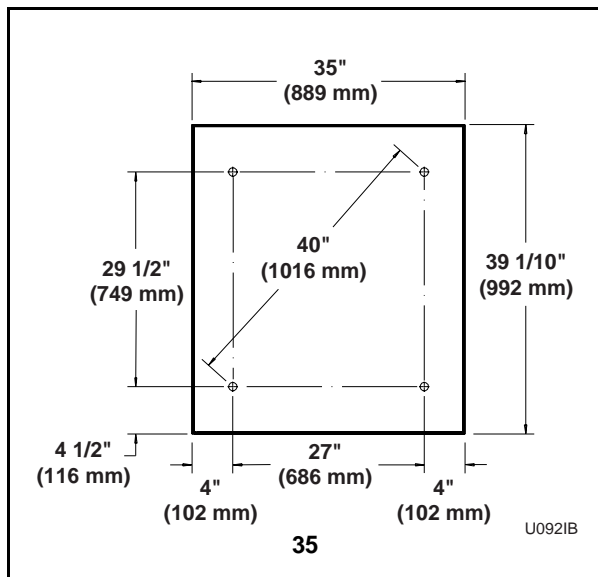


Figure 5

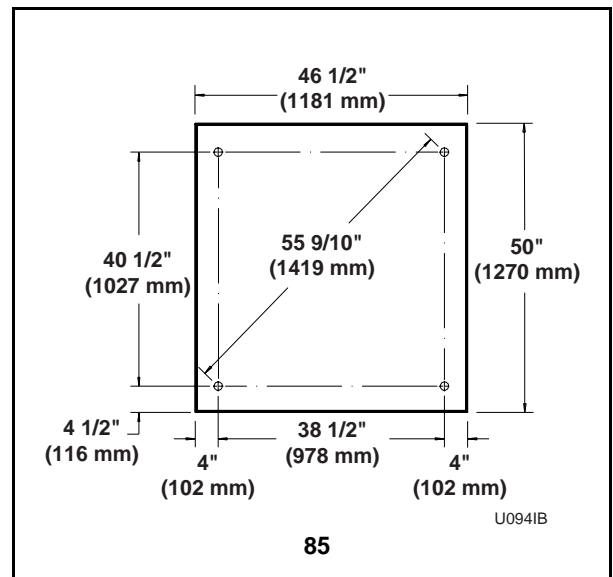


Figure 7

Installation

Mechanical Installation (Continued)

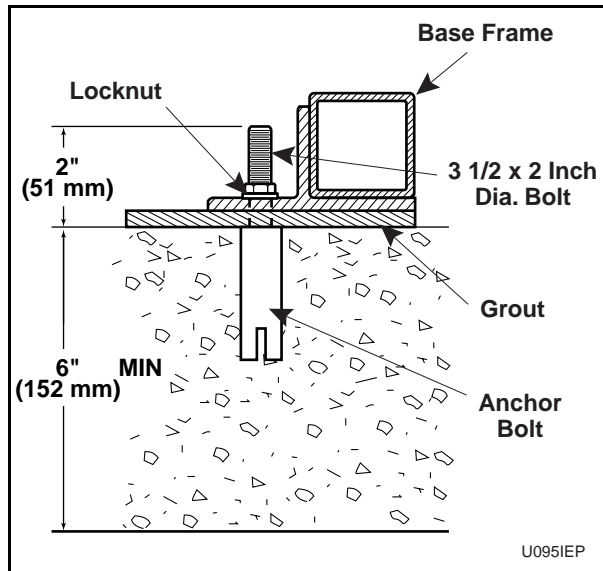


Figure 8

After the anchor bolts are installed and the concrete has cured, proceed as follows:

1. Place the washer-extractor adjacent to the foundation. Do not attempt to move it by pushing on the sides. Always insert a pry bar or other device under the bottom of the frame of the washer-extractor to move it.
2. Remove the wood skid by unscrewing the carriage bolts holding it to the bottom frame of the washer-extractor.
3. Place the washer-extractor carefully over the anchor bolts. Never attempt to lift the machine by the door handle or by pushing on the cover panels.
4. Raise and level the washer-extractor 1/2 inch off the floor on three points, using spacers such as nut fasteners.

5. Fill the spaces between the washer-extractor base and floor with a good quality non-shrinking machinery grout to ensure a stable installation. See Figure 9 for grouting the 35-pound capacity model. See Figure 10 for grouting the 50-pound capacity model. See Figure 11 for grouting the 85-pound capacity model.

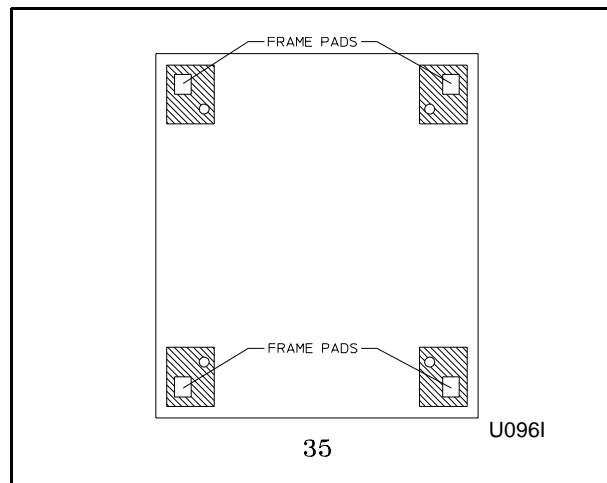


Figure 9

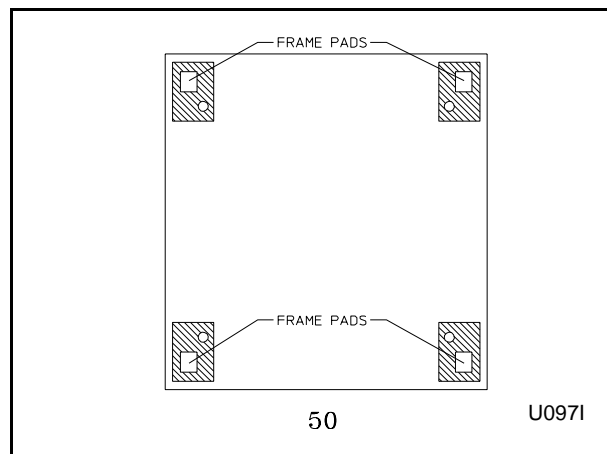


Figure 10

Installation

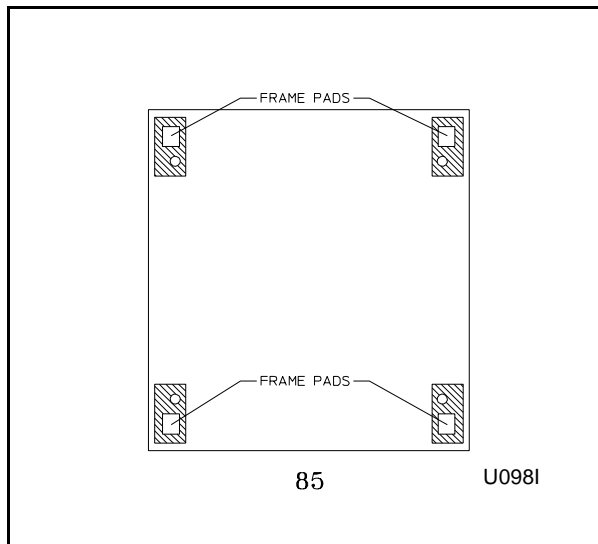


Figure 11

6. Remove the spacers carefully, allowing the machine to settle into the wet grout.
7. Position the mounting bolt washers and locknuts on the anchor bolts and fingertighten locknuts to machine base.
8. After the grout is completely dry, tighten the locknuts by even increments – one after the other – until all are tightened evenly and the machine is fastened securely to the floor.
9. Remove the four red transport brackets used to secure the machine during shipping. See Figure 12.

Installation

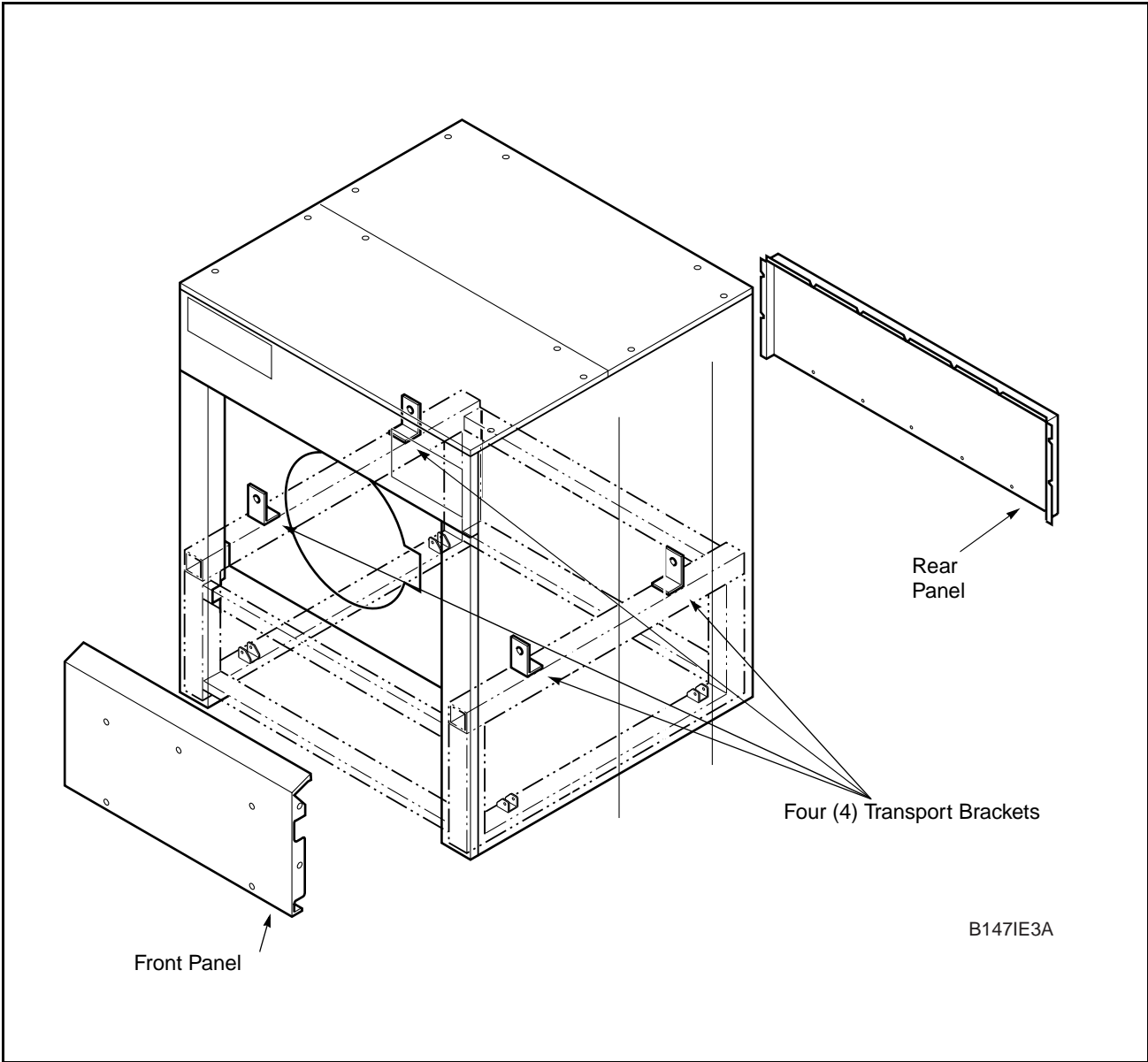


Figure 12

Installation

Drain Connection

A drain system of adequate capacity is essential to washer-extractor performance. Ideally, the water should empty through a vented pipe directly into a sump or floor drain. Figures 13 and 14 show drain line and drain trough configurations.

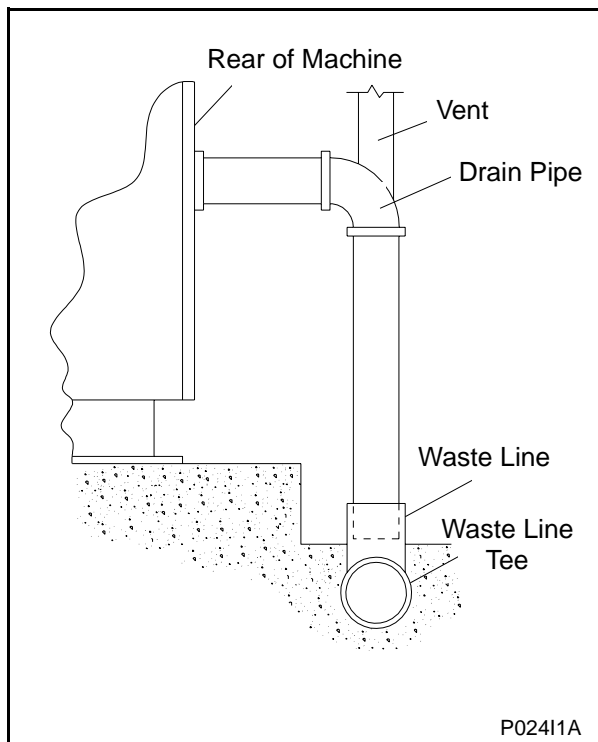


Figure 13

A flexible connection must be made to a vented drain system to prevent an air lock and to prevent siphoning. If proper drain size is not available or practical, a surge tank is required. A surge tank in conjunction with a sump pump should be used when gravity drainage is not possible, such as in below-ground-level installations.

Before any deviation from specified installation procedures is attempted, the customer or installer should contact the distributor.

Increasing the drain hose length, installing elbows, or causing bends will decrease drain flow rate and increase drain times, impairing washer-extractor performance.

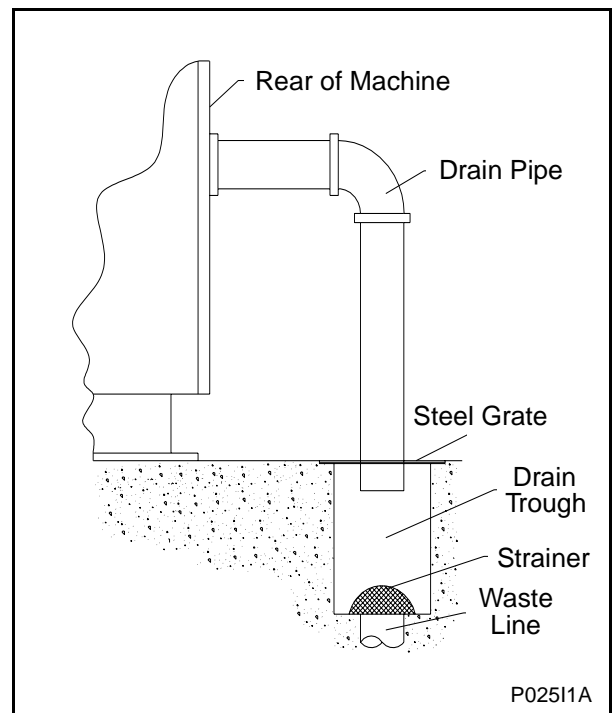


Figure 14

See the Cabinet Freestanding Drain Information table in this subsection for capacity-specific drain information.

Installation of additional washer-extractors will require proportionately larger drain connections. See the Cabinet Freestanding Drain Line Sizing table in this subsection.

Installation

Drain Connection (Continued)

Drain Information			
	35	50	85
Drain connection size, I.D., in. (mm)	3 (79)	3 (79)	3 (79)
Number of drain outlets	1	1	1
Drain flow capacity, gal-min (l-min)	54 (205)	54 (205)	54 (205)
Recommended drain pit size, ft ³ (l)	5.7 (161)	8.2 (232)	10.7 (303)

Drain Line Sizing				
Minimum Drain I.D., in. (mm)				
Model	Number of Machines			
	1	2	3	4
35	3 (76.2)	3 (76.2)	3-1/2 (88.9)	4 (102)
50	3 (76.2)	4 (102)	6 (152)	6 (152)
85	4 (102)	6 (152)	6 (152)	8 (203)

Installation

Water Connection

Water Supply Information			
	35	50	85
Water inlet connection size, in. (mm)	3/4 (19)	3/4 (19)	1 (25)
Number of water inlets (standard)	2	2	2
Recommended pressure psi (bar)	30–85 (2–5.7)	30–85 (2–5.7)	30–85 (2–5.7)
Inlet flow capacity, gal-min (l-min) (80 psi)	12 (45)	12 (45)	25 (52)

Connections should be supplied by a hot and a cold water line of at least the sizes shown in the Water Supply Line Sizing table. Installation of additional machines will require proportionately larger water lines. See table.

To connect water service to machine with rubber hoses, use the following procedure:

1. Before installing hoses, flush the water system for at least two minutes.
2. Check filters in the washer-extractor's inlet hoses for proper fit and cleanliness before connecting.
3. Hang the hoses in a large loop; do not allow them to kink.

If additional hose lengths are needed, use flexible hoses with screen filters. Each hose should have a screen filter installed to keep rust and other foreign particles out of the water inlet valves.


Pressure of 30 – 85 psi (2 – 5.7 bar) provides best performance. Although the washer-extractor will function properly at lower pressures, increased fill times will occur.

Suitable air cushions should be installed in supply lines to prevent “hammering.” If the water pressure is above 60 psi, flexible copper tubing should be used in place of rubber hoses.

Water Supply Line Sizing			
Model	Number of Machines	Supply Line Size in. (mm)	
		Main	Hot/Cold
35	1	1 (25)	3/4 (19)
	2	1-1/2 (38)	1 (25)
	3	2 (50)	1-1/4 (32)
	4	2 (50)	1-1/2 (38)
50	1	1-1/4 (32)	1 (25)
	2	2 (50)	1-1/4 (32)
	3	2 (50)	1-1/2 (38)
	4	2-1/2 (64)	2 (50)
85	1	1-1/2 (38)	1 (25)
	2	2 (50)	1-1/2 (38)
	3	2 (50)	2-1/2 (64)
	4	2-1/2 (64)	2 (50)


Installation


Electrical Installation


	WARNING
<p>This machine must be installed, adjusted, and serviced by qualified electrical maintenance personnel familiar with the construction and operation of this type of machinery. They must also be familiar with the potential hazards involved. Failure to observe this warning may result in personal injury and/or equipment damage, and may void the warranty.</p>	
SW004	


The AC inverter drive requires a clean power supply free from voltage spikes and surges. A voltage monitor should be used to check incoming power. The customer's local power company may provide such a monitor.

If input voltage measures above 230V for a 200V drive or above 440V for a 400V drive, ask the power company to lower the voltage. As an alternative, a step-down transformer kit is available from the distributor. Voltages above 250V and 490V require additional measures. Contact the distributor or the manufacturer for assistance.

	WARNING
<p>Dangerous voltages are present in the electrical control box(es) and at the motor terminals. Only qualified personnel familiar with electrical test procedures, test equipment, and safety precautions should attempt adjustments and troubleshooting. Disconnect power from the machine before removing the control box cover, and before attempting any service procedures.</p>	
SW005	

	WARNING
<p>Never touch terminals or components of the AC inverter drive unless power is disconnected and the "CHARGE" indicator LED is off. The AC inverter drive retains potentially deadly voltage for some time after the power is disconnected. There are no user-serviceable parts inside the AC inverter drive. Tampering with the drive will void the warranty.</p>	
SW009	

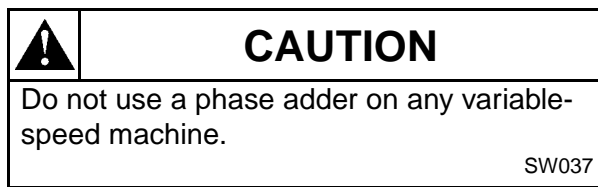
	WARNING
<p>Ensure that a ground wire from a proven earth ground is connected to the ground lug near the input power block on this machine. Without proper grounding, personal injury from electric shock could occur and machine malfunctions may be evident.</p>	
SW008	

	DANGER
<p>When controlling the AC inverter drive with a parameter unit, the machine's computer and its safety features are bypassed. This would allow the basket to rotate at high speeds with the door open. When using a parameter unit to control the AC inverter drive, a large sign should be placed on the front of the machine warning people of the imminent danger.</p>	
SW003	

Installation

The AC drive provides overload protection for the drive motor. However, a separate three-phase circuit breaker must be installed for complete electrical overload protection. This prevents damage to the motor by disconnecting all legs if one should be lost accidentally. Check the data plate on the back of the washer-extractor or consult the Electrical Specifications chart in this subsection for circuit breaker requirements.

Note: Do NOT use fuses in place of a circuit breaker.



The washer-extractor should be connected to an individual branch circuit not shared with lighting or other equipment.

The connection should be shielded in a liquid-tight or approved flexible conduit with proper conductors of correct size installed in accordance with the National Electric Code or other applicable codes. The connection must be made by a qualified electrician using the wiring diagram provided with the washer-extractor, or according to accepted European standards for CE-approved equipment.

Use wire sizes indicated in the Electrical Specifications chart for runs up to 50 feet. Use next larger size for runs of 50 to 100 feet. Use 2 sizes larger for runs greater than 100 feet.

For personal safety and for proper operation, the washer-extractor must be grounded in accordance with state and local codes. If such codes are not available, grounding must conform with the National Electric Code, article 250-95. The ground connection must be made to a proven earth ground, not to conduit or water pipes.

If a delta supply system is used, the high leg may be connected to L1, L2, or L3 on the cabinet freestanding models as all machines are equipped with control transformers.

Installation


Electrical Installation (Continued)

Electrical Specifications													
Voltage Designation						Standard				Electric Heat			
Model	Code	Voltage	Cycle	Phase	Wire	Full Load Amps	Breaker	AWG	mm ²	Full Load Amps	Breaker	AWG	mm ²
35	M	550-575	50-60	3	3	4	15	14	3x2.5	Not available in this voltage.			
	M*	550-575	50-60	3	3	6	10	14	3x2.5	Not available in this voltage.			
	N	440-480	50-60	3	3	4	15	14	3x2.5	32	35	8	3x10
	N*	440-480	50-60	3	3	6	15	12	3x4	25	30	10	3x6
	P	380-415	50-60	3	3	4	15	14	3x2.5	32	35	8	3x10
	P*	380-415	50-60	3	3	6	15	12	3x4	22	30	10	3x6
	Q	200-240	50-60	3	3	10	15	14	3x2.5	50	50	8	3x10
	Q*	200-240	50-60	3	3	10	20	12	3x4	38	50	6	3x16
	T	200-240	50-60	1	2	13	15	14	2x2.5	Not available in this voltage.			
T*	200-240	50-60	1	2	19	30	10	3x6	Not available in this voltage.				
50	M	550-575	50-60	3	3	6	15	14	3x2.5	Not available in this voltage.			
	M*	550-575	50-60	3	3	10	15	14	3x2.5	Not available in this voltage.			
	N	440-480	50-60	3	3	4	15	14	3x2.5	43	50	8	3x10
	N*	440-480	50-60	3	3	11	20	12	3x4	38	50	6	3x16
	P	380-415	50-60	3	3	4	15	14	3x2.5	43	50	8	3x10
	P*	380-415	50-60	3	3	11	20	12	3x4	33	40	8	3x10
	Q	200-240	50-60	3	3	10	15	14	3x2.5	76	80	4	3x25
	Q*	200-240	50-60	3	3	19	30	10	3x6	56	70	4	3x25
	T	200-240	50-60	1	2	18	25	10	2x6	Not available in this voltage.			
T**	200-240	50-60	1	2	26	50	6	2x16	Not available in this voltage.				
85	M**	550-575	60	3	3	13	25	10	3x4	Not available in this voltage.			
	N**	440-480	50-60	3	3	13	25	10	3x4	55	60	6	3x16
	P**	380-415	50-60	3	3	13	25	10	3x4	55	60	6	3x16
	Q**	200-240	50-60	3	3	24	40	8	3x6	105	110	2	3x35

Note: Wire sizes shown are for copper, THHN, 90° conductor per NEC article 310.
 *Models with 1305-series drive.
 **Models with 1336-series drive.

Installation

Steam Requirements (Steam Heat Option Only)

	WARNING
Never touch internal or external steam pipes, connections, or components. These surfaces can be extremely hot and will cause severe burns. The steam must be turned off and the pipe, connections, and components allowed to cool before the pipe can be touched.	
SW014	


For machines equipped with optional steam heat, install piping in accordance with approved commercial steam practices. Steam requirements are shown in the table below.

Note: Failure to install the supplied steam filter may void the warranty.

Steam Supply Information	
Steam inlet connection, in. (mm)	1/2 (DN13)
Number of steam inlets	1
Recommended pressure, psi (bar)	30 – 80 (2.0 – 5.5)
Maximum pressure, psi (bar)	80 (5.4)

Installation

Chemical Injection Supply System

	WARNING
Wear eye and hand protection when handling chemicals; always avoid direct contact with raw chemicals. Read the manufacturer's directions for accidental contact before handling chemicals. Ensure an eye-rinse facility and an emergency shower are within easy reach. Check at regular intervals for chemical leaks.	
SW016	

Undiluted chemical dripping can damage the machine. Therefore, all chemical supply dispenser pumps should be mounted below the washer's injection point. All dispenser tubing should also run below the injection point. Loops do not prevent drips if these instructions are not followed. Failure to follow these instructions could damage the machine and void the warranty. See Figure 15 for a typical chemical supply injection system.

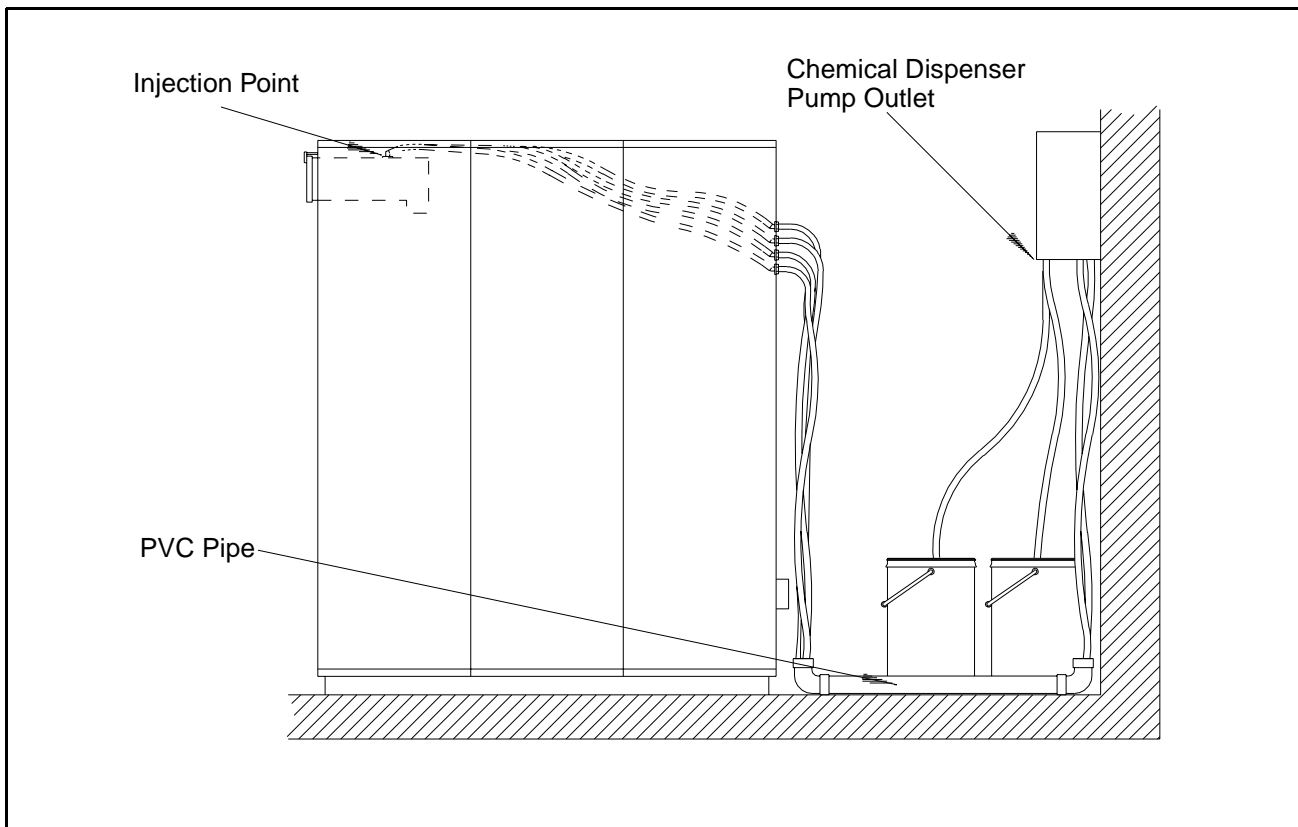


Figure 15

Installation

Supply Compartments

Supply compartments are located behind an access door on the top left side of the machine front. The door can be opened by turning the door latch as shown in Figure 16.

The supply compartments are numbered 1 – 5, from left to right as viewed from the front of the machine.

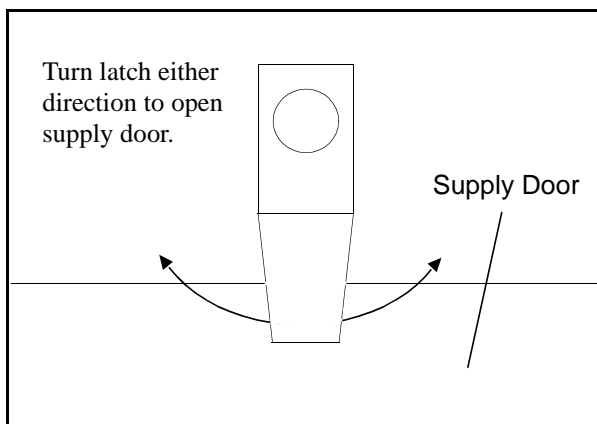


Figure 16

Connecting External Supplies

Hose barbs are located on the right rear of the machine. Connections are numbered as shown in Figure 17.

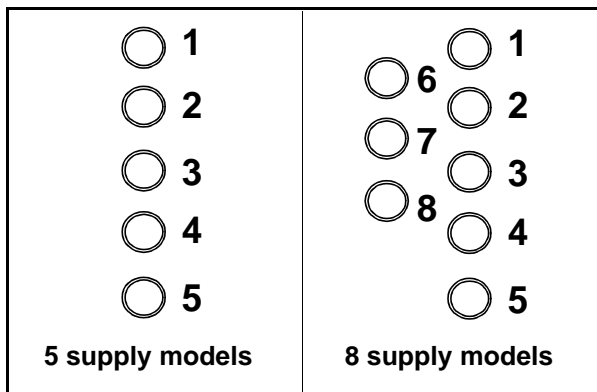


Figure 17

To connect external supplies, use the following procedure:

1. Connect tubes to supply inlets by pushing each tube over inlet lip. Tubes should fit snugly onto supply inlets. When seated completely, tube ends should contact rear of machine.
2. Tightness of fit will dictate whether or not hose clamps are necessary. No. 8 hose clamps are suitable.

Electrical Connections for Chemical Injection Systems

A stainless steel box at the rear of the machine houses a terminal strip which furnishes supply output signals for the chemical injection supply pumps. See Figure 18 for examples of applicable decals.


Terminals **SUPPLY 1** through **SUPPLY 8** provide 100-120VAC fused at 500mA. These terminals may be used to provide signals to the chemical injection system but must not be used to provide power to the pump. Do not attempt to increase fuse rating as this may cause damage to the washer-extractor's circuitry.

An external chemical injection system requiring 200-240VAC can be powered through **LINE 1** and **LINE 2** on the external supply terminal strip on PVQ and PVT models. Any chemical injection system used with PVM, PVN, and PVP models must be powered by a separate independent power source.

Any injection system pump which requires 110VAC must be powered by a separate external power source.

Installation

Chemical Injection Supply System (Continued)

	CAUTION
<p>Attempting to obtain 110VAC by using L1 or L2 with the common may damage laundry machine circuitry and/or the chemical injection system. Using a 240VAC power wire in the washer-extractor and an earth ground to obtain 110VAC could cause microprocessor problems.</p>	
SW028	

Consult the chemical injection supply system instructions for operational details.

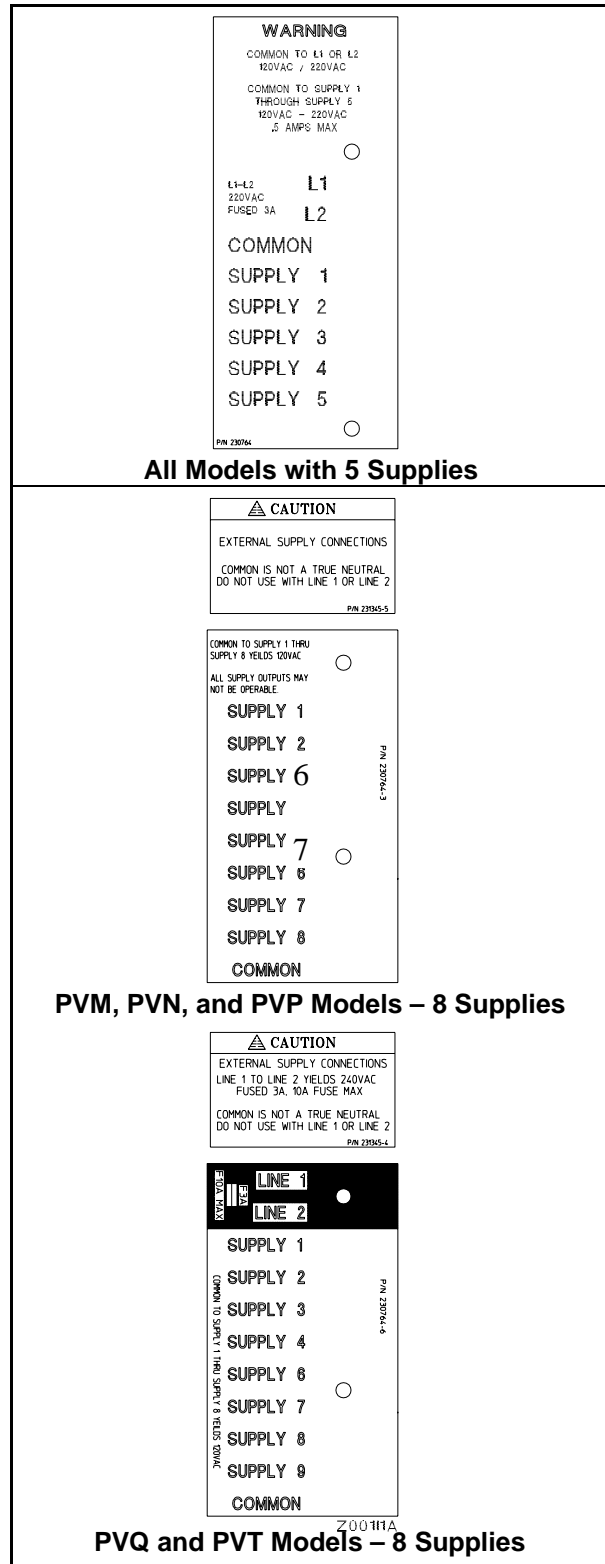



Figure 18

Installation

Premium Wet Clean Module

Note: Pump motor is prewired for 200 – 240V input. Motor must be rewired for 380V or greater input. For rewiring, refer to pump motor junction box and Step 6 of the following procedure.

	WARNING
Lock out the main power panel and lock out the power supply to the control box before attempting any service procedures.	
SW007	

Note: All power *must* be removed from the washer-extractor before the Premium Wet Clean Module installation instructions are executed.

Read the following instructions thoroughly before proceeding. The installer must have a comprehensive understanding of the instructions before attempting installation of the Premium Wet Clean Module.

The orientation for installation is from the **rear** of the washer-extractor.

1. Removing the paneling:

- a. Remove washer-extractor top cover.
- b. Remove rear panel and right side front panel of the washer-extractor.

2. Building the right drain for water recirculation:

- a. Remove the drain cover plate on the right side of washer-extractor rear. See Figure 19.
- b. Remove the sump plug from the recirculation drain outlet. See Figure 20.

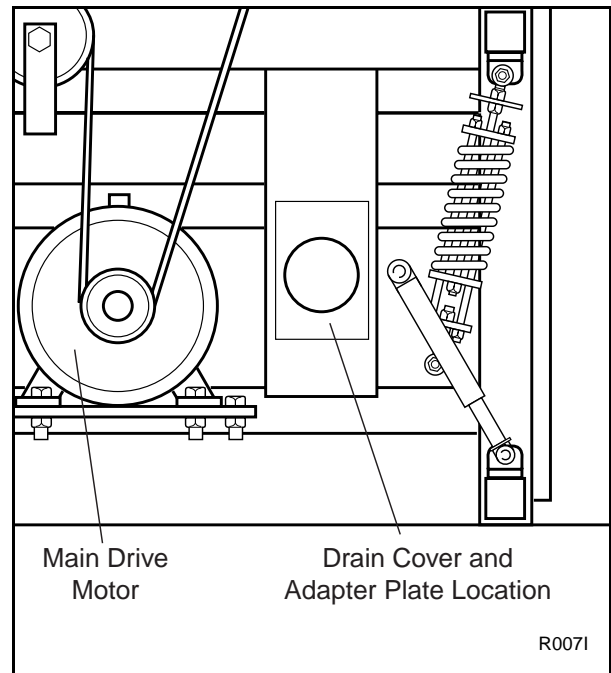


Figure 19

- c. Install the drain adaptor plate included with the kit in the place of the drain cover plate. See Figure 19.
 - d. Install the inner drain hose and flex drain hose as shown in Figure 20.
- ### 3. Positioning the canister/filter/pump assembly:
- a. Place the canister/filter/pump assembly, included in the kit, behind the washer-extractor. Connect the canister/filter inlet with the flex hose.
 - b. Position the canister/filter/pump assembly so that the flex hose bends without tension.

Installation

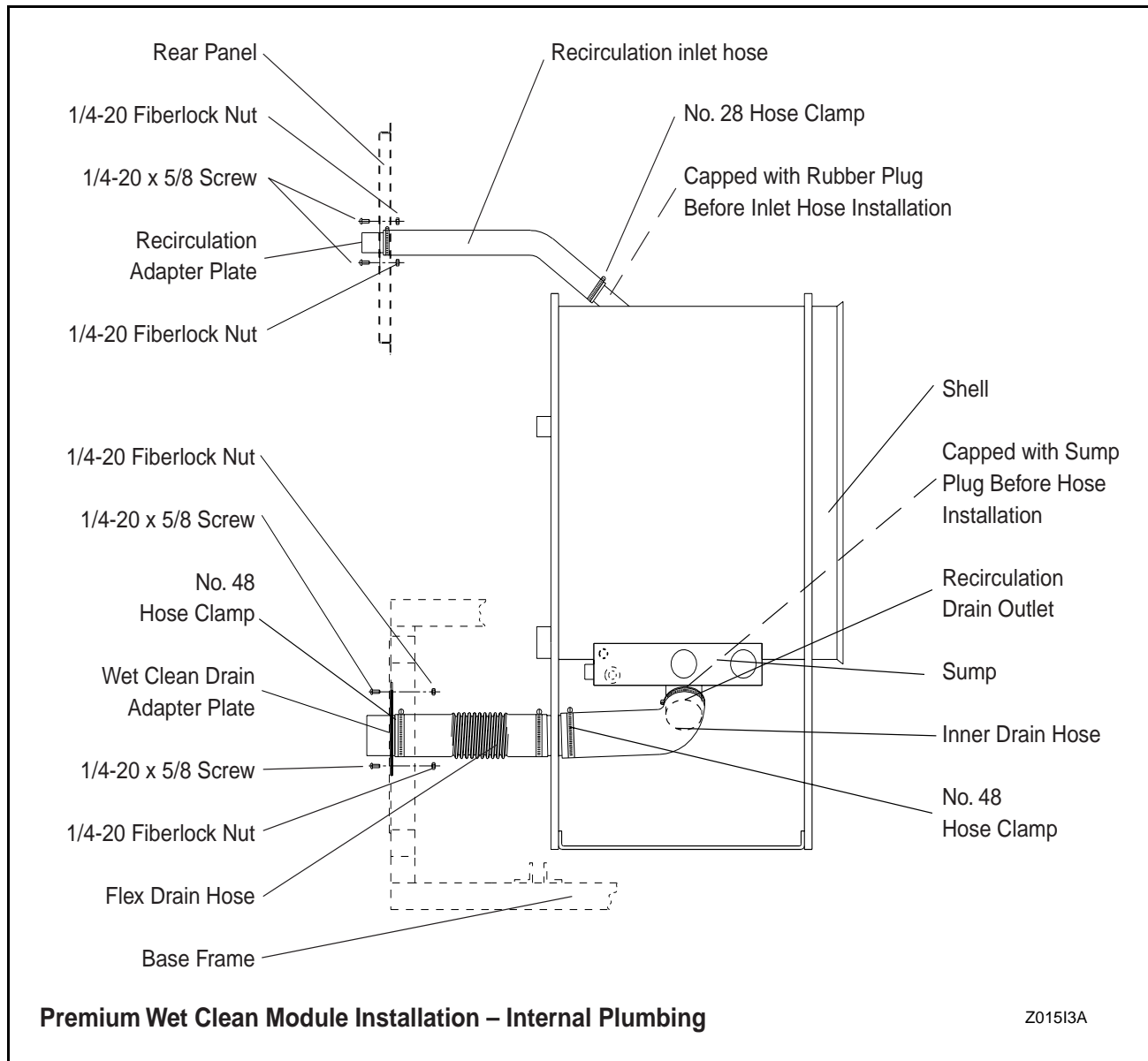


Figure 20

4. Wiring the drain valve on the canister/ filter/pump assembly (See Drawing No. 633583, included with kit):

- a. Remove drain valve motor cover on the washer-extractor.
- b. Extend 2-conductor cable already installed on the drain valve on the canister/pump/filter assembly to the left drain valve on the washer-extractor.
- c. Splice 2-conductor cable with the left drain valve motor leads, using the blue female quick-disconnect terminals included in the kit.

Installation

Note: The cable has a red wire and a black wire. The machine drain valve wires are red for ACN and black for ACH. Splice both red wires in one blue terminal and connect to common terminal of washer-extractor drain valve. Splice both black wires in one blue terminal and connect to either the 50Hz or 60Hz terminal of the washer-extractor drain valve. Verify that the drain valve terminals match input power frequency (50Hz or 60Hz).

5. Assembling the electrical components in the rear control module for 35- and 50-pound models:

- Remove the cover on the rear control module by removing the screws. On newer models the cover is removed by using a key originally shipped with the machine.
- On the 35- and 50-pound models,* attach the pump contactor and the circuit breaker, included in the kit, to the mounting rail just below the control transformer on the right side of the AC drive unit as shown in Figure 21. *On the 85-pound models,* attach the pump contactor and the circuit breaker, included in the kit, to the mounting rail located to the left of the AC drive unit.

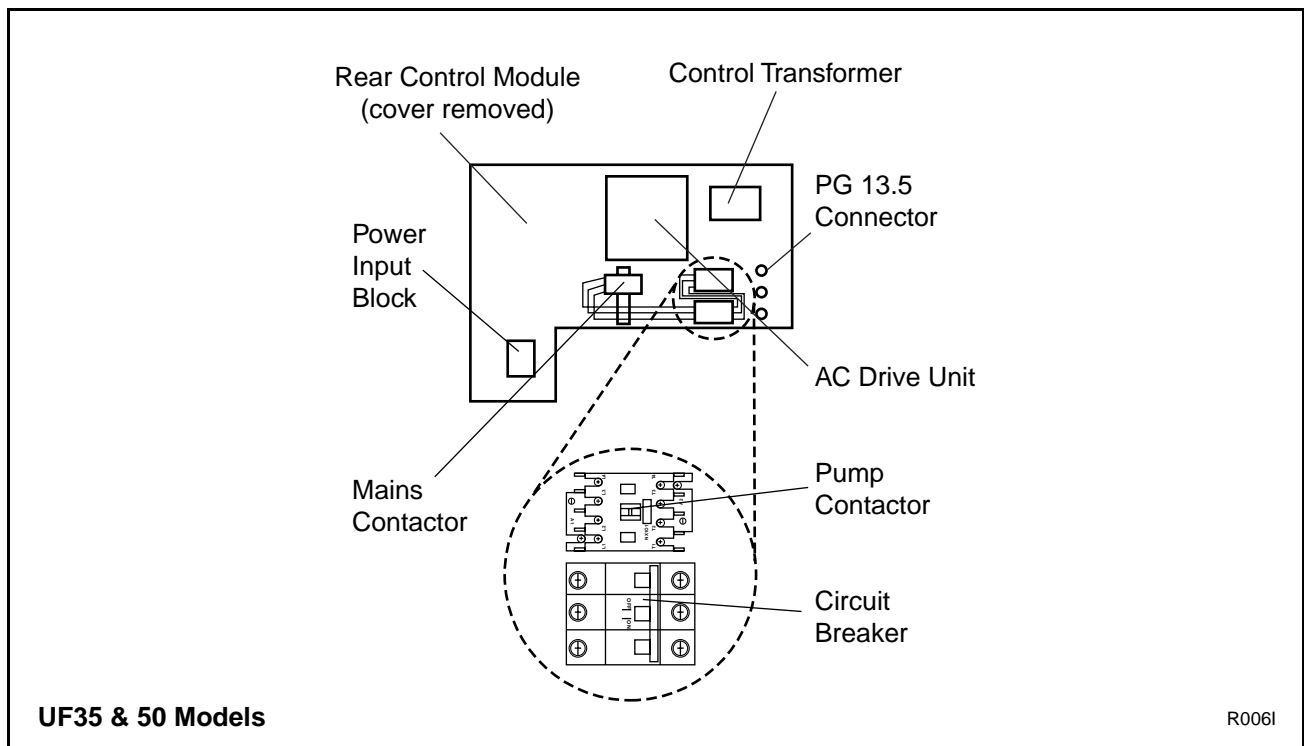


Figure 21

Installation

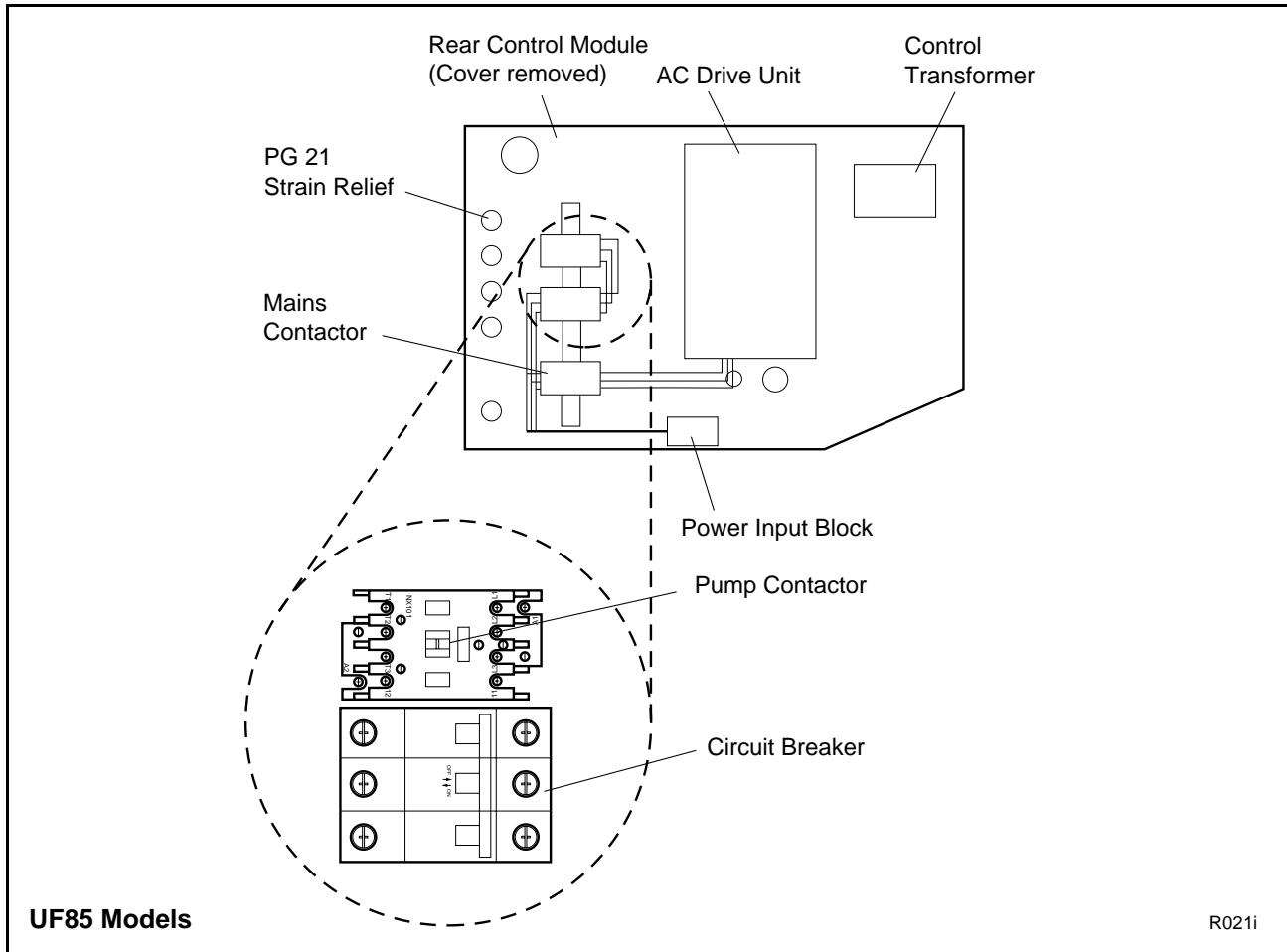


Figure 22

6. Wiring Electrical components in the rear control module (see Drawing No. 633583, included in the kit):

- a. *On the 35- and 50-pound models,* remove the top two plugs of the three black plugs from the right side of the rear control module. These plugs are located just to the right of the pump contactor and circuit breaker. See Figure 21. *On the 85-pound models,* remove the second plug from the top located to the left of the pump contactor and circuit breaker. See Figure 22.

- b. *On the 35- and 50-pound models,* install two PG 13.5 watertight strain reliefs, included in the kit, in place of each of the top two plugs. See Figure 23. *On the 85-pound models,* install the PG 21 strain relief in place of the second plug from the top. See Figure 24.

Installation

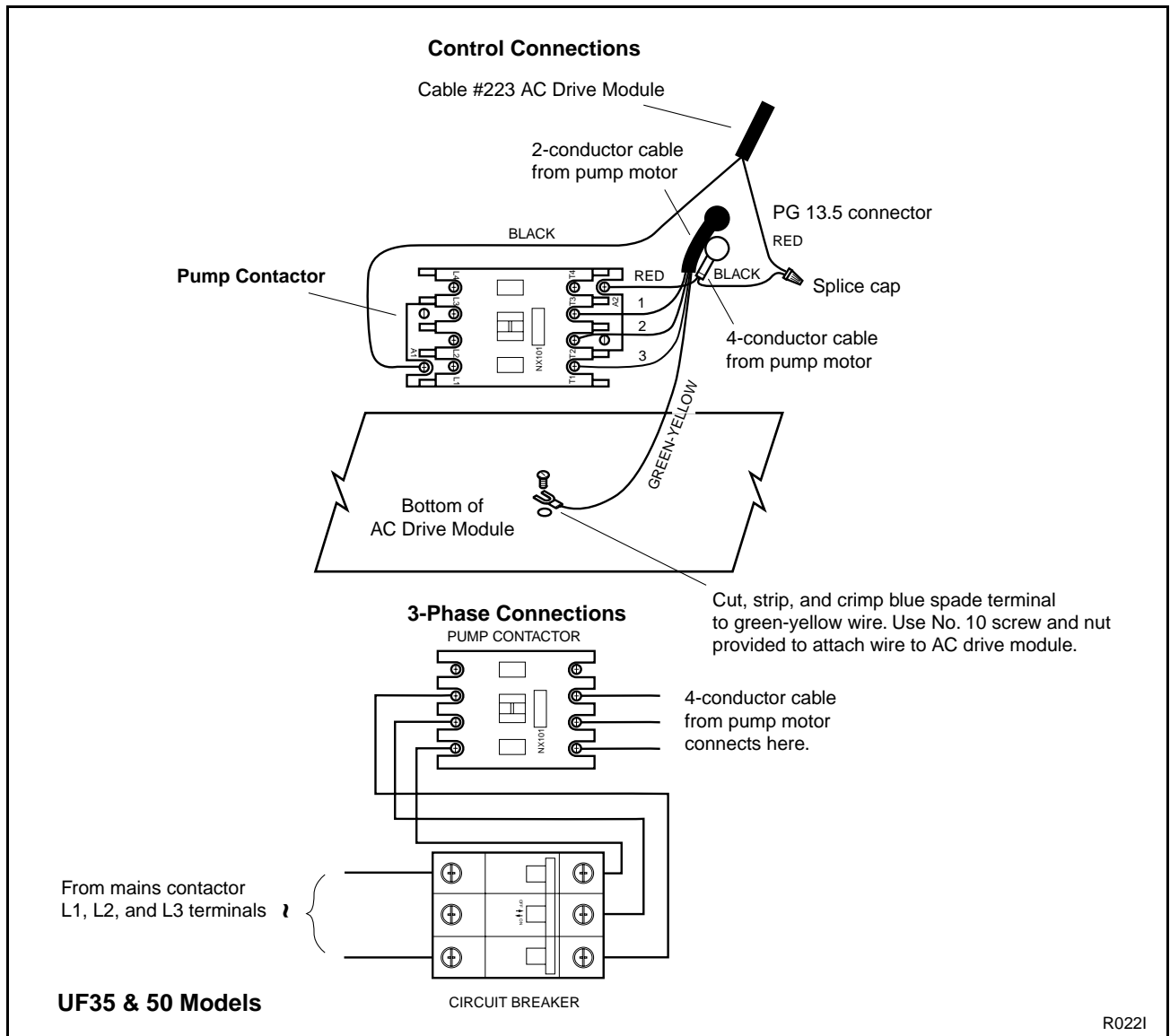


Figure 23

Installation

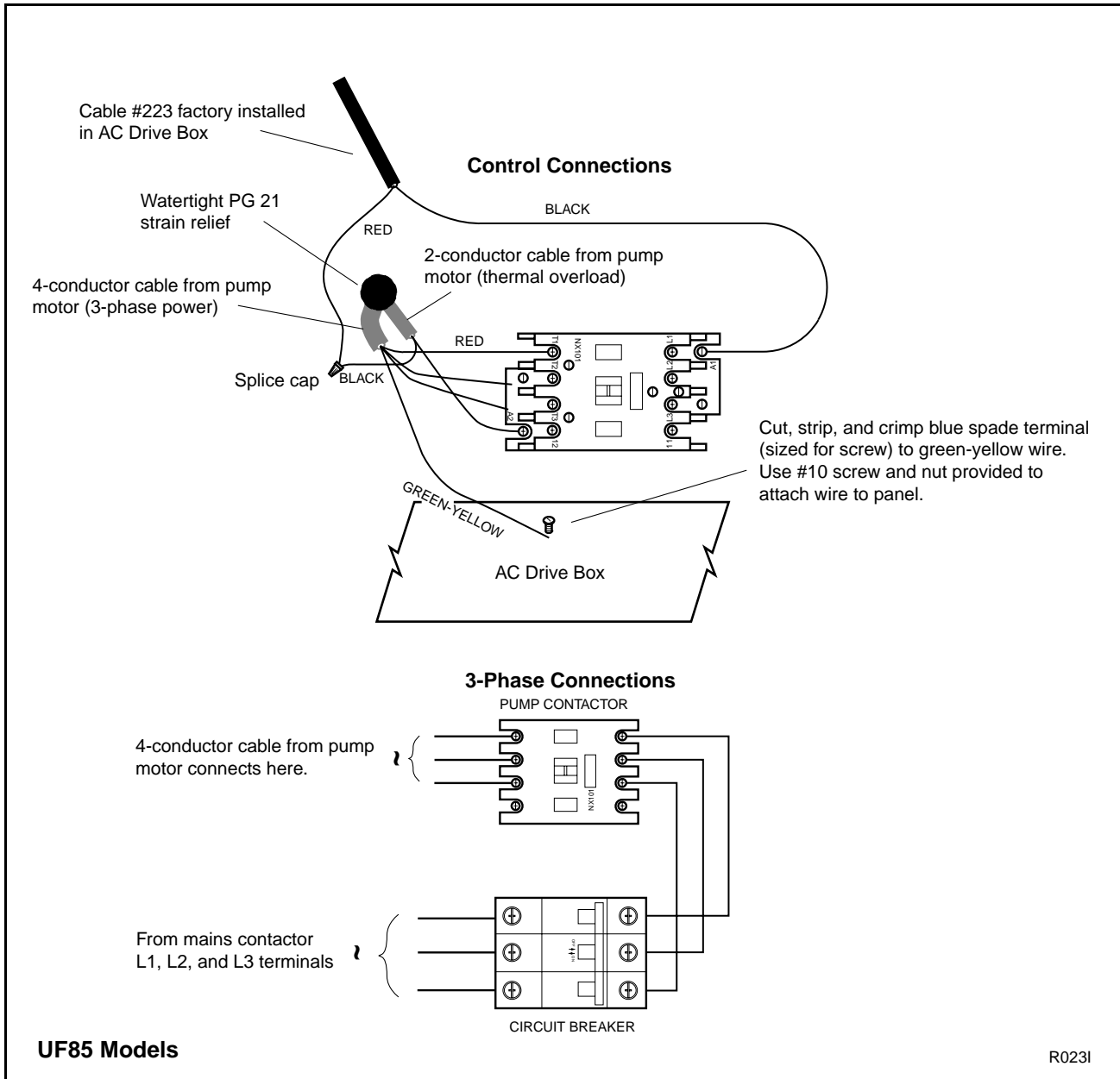


Figure 24

Installation

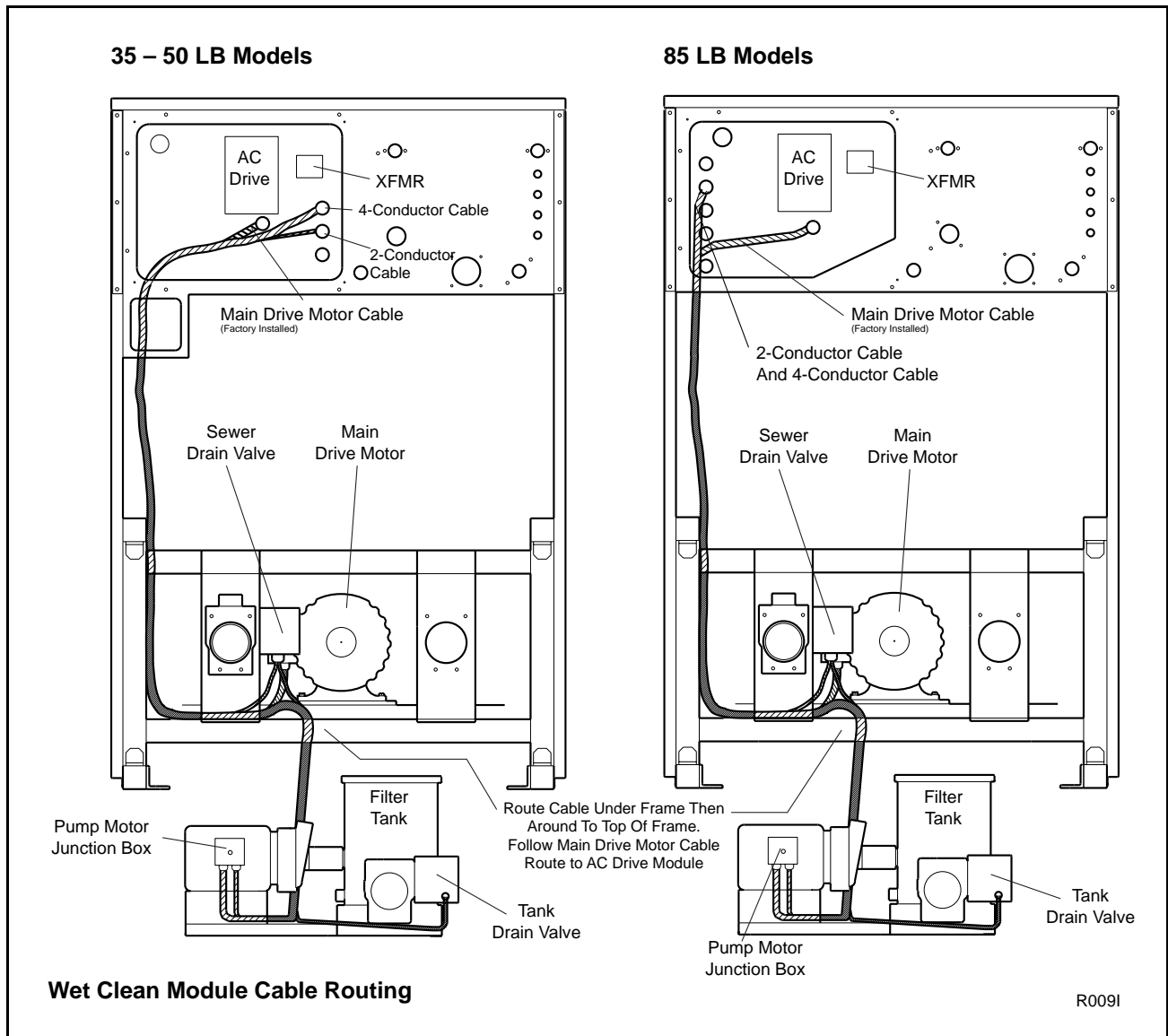


Figure 25

- c. Route 4-conductor and 2-conductor cables along the frame of the washer-extractor, following the same routing as the main drive motor cable. Allow sufficient clearance between the cables and any moving parts of the washer-extractor. See Figure 25.

Note: Route cables underneath the frame as shown in Figure 25.

Installation

Note: Ensure cables are routed safely and away from potential hazards. Use wire ties, included with the kit, to secure cabling. Provide some slack for repositioning of the canister/filter/pump assembly after electrical connections are made.

- d. *On the 35- and 50-pound models*, route the 2-conductor and 4-conductor cable through the two PG 13.5 strain reliefs installed in step b. See Figure 23. *On the 85-pound model*, route both the 2-conductor cable and the 4-conductor cable through the PG 21 strain relief as shown in Figure 24.

Note: Ensure strain reliefs are tightened securely around the cable.

- e. Connect red wire in the 2-conductor cable from the canister/filter/pump assembly to terminal A2 of the pump contactor. See Figure 23.
- f. Extend 2-conductor cable #223, which is capped in the rear control module. Connect red wire of #223 to the black wire of the 2-conductor cable from the canister/filter/pump assembly.
- g. Connect the black wire of the #223 cable to terminal A1 of the pump contactor.
- h. Connect L1, L2, and L3 from the circuit breaker to the input side of the mains contactor, using the 18GA gray wire, included in the kit.

- i. Connect the 4-conductor cable wires to the pump contactor terminals as follows: wire No. 1 to terminal T1, wire No. 2 to T2, and wire No. 3 to T3. Wire No. 4 (green-yellow) must be connected to the chassis ground.

Note: If pump motor rotation is incorrect during the control function test, swap any two wires at terminals T1, T2, or T3 of pump contactor. See Figure 26 for correct motor rotation direction.

7. Verifying electrical connections:

- a. Secure any loose or dangling wires, using the wire ties.
- b. Verify that all connections are secure and routed properly.

8. Reassembling machine panels:

- a. Reassemble rear panel and right front panel.
- b. Reinstall rear control module cover.

9. Install water recirculation piping:

- a. Remove the cap on the recirculation inlet on top of the shell. See Figure 20.
- b. Attach the 1 1/2-inch black hose connector (no clamp grooves), included in the kit, between the shell recirculation inlet and the adapter plate.
- c. Attach upper recirculation pipe to the hose connector at the recirculation adapter plate on the rear of the washer-extractor. See Figure 26.

Installation

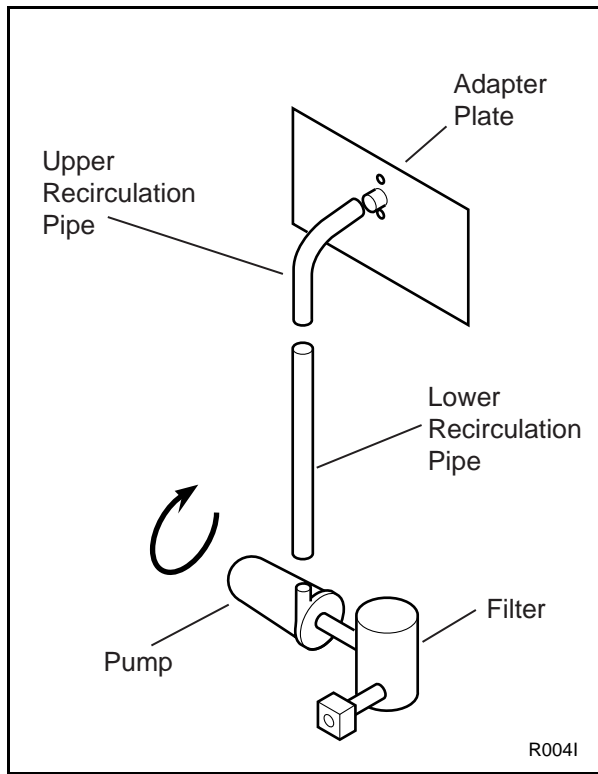


Figure 26

- d. Tighten the clamps on the hose connector at the shell recirculation adapter plate. Ensure that the upper recirculation pipe is tight and fully secured.
- e. Align the lower recirculation pipe to the upper recirculation pipe and the pump outlet. Ensure that the water recirculation platform can be positioned so that the flex hose from the left drain to the canister/filer bends comfortably.

If the flex hose appears to be crimped or stretched excessively, flip the lower recirculation pipe around and reposition the water recirculation platform until the flex hose bends comfortably.

- f. Slide one 1 1/2-inch black connector (with clamp grooves), included in the kit, onto the upper recirculation pipe side of the lower recirculation pipe.
- g. Assemble the other 1 1/2-inch black connector (with clamp grooves), included in the kit, to the pump outlet.
- h. Position the lower recirculation pipe between the upper recirculation pipe and the pump outlet. Verify alignment. Secure the lower recirculation pipe to the pump outlet by tightening the clamps on the 1 1/2-inch black connector.
- i. Slide the other 1 1/2-inch connector between the upper and lower recirculation pipes. Tighten the connector clamps.
- j. Verify that all pipe connections are tight and fully secure.

Verify operation with Control Function test, which follows this section in the manual.

Installation

Control Function Test

The washer-extractor should be cleaned after the installation is complete. A function test should then be executed on the unloaded machine:

1. Verify that power supply voltage and phase are correct in accordance with the washer-extractor's requirements. If the Premium Wet Clean Module is installed, 3-phase power must be provided.
2. Open manual shut-off valves to the washer-extractor.
3. Press the Emergency Stop button.
4. Apply power to the washer-extractor.
5. Release the Emergency Stop button.
6. Check the door interlock before starting operation:
 - a. Attempt to start the washer with the door open. The washer-extractor should not start with the door open.
 - b. Close the door without locking it and attempt to start the washer. The washer should not start with the door unlocked.
 - c. Close and lock the door and start a cycle. Attempt to open the door while the cycle is in progress. The door should not open.

If the door lock and interlock are not functioning properly, call a service technician.

7. For standard processing, select Cycle 01 by pressing key **0** and key **1** on the keypad. Then press the **Start** key.

Run a complete cycle, checking operation of water inlet valves, drain, and extract functions.

Installation

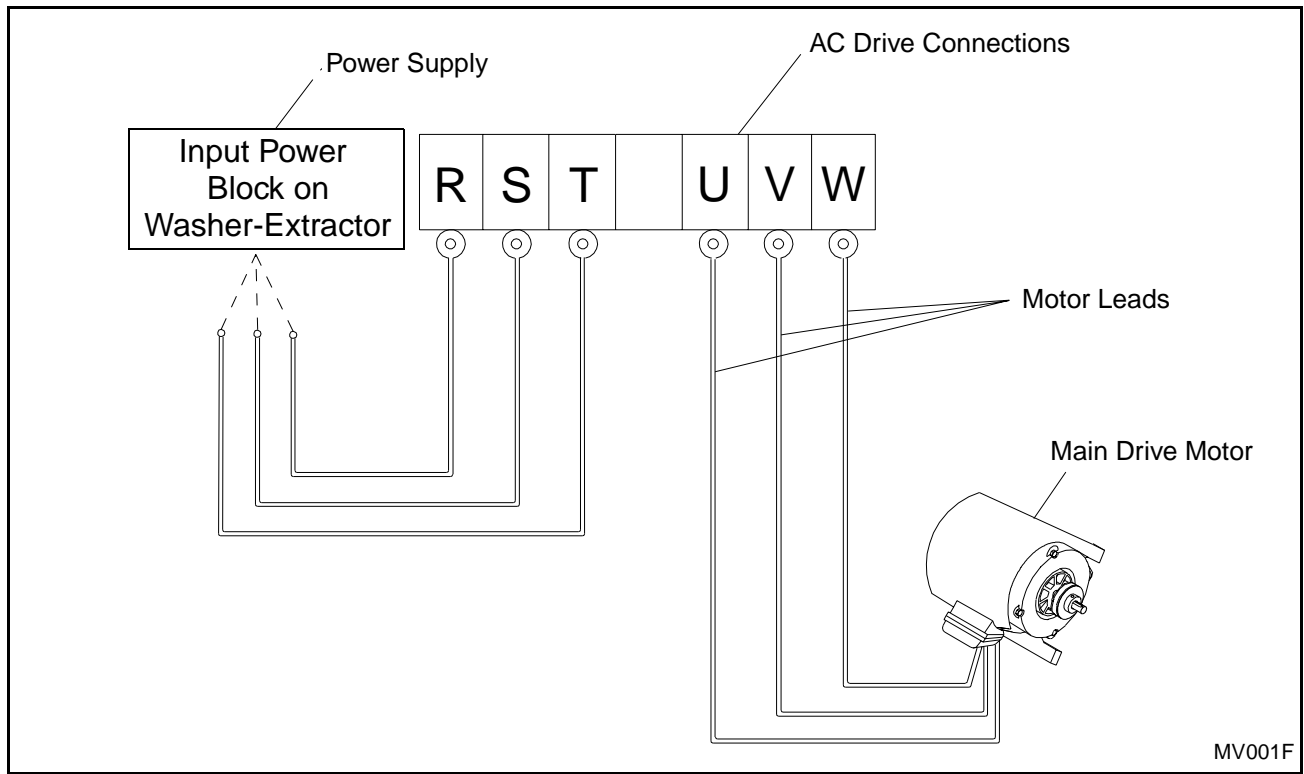


Figure 27

8. Cylinder rotation must be clockwise in a spin step for 35-pound, 50-pound, and 85-pound capacity models. On 135-pound and 250-pound models, rotation should be counterclockwise in an extract step. If rotation is not correct, disconnect power. A qualified electrician must reverse any two leads between the AC drive and the main drive motor. See Figure 27.

If the washer-extractor is served by the Premium Wet Clean Module, continue the control function test by following the procedure listed below.

Installation

Wet Clean Processing

For wet clean processing, program the standard test cycle to verify proper operation of the wet clean system. (Refer to the Cabinet Freestanding Operation/Programming manual.)

Run the test cycle and verify that the wet clean system is operating properly:


- Check plumbing connections for leaks.
- Verify that the Premium Wet Clean Module pump is operating properly, and that the rotation direction is counterclockwise. If rotation direction is incorrect, a qualified electrician may reverse any two leads. See Step 6i of Premium Wet Clean Module installation section.
- Verify that the drain valve on the Premium Wet Clean Module opens and closes properly.
- Verify that the canister lid does not leak.


If problems arise during the control function test, stop the washer-extractor and return to the Premium Wet Clean Module installation section for proper installation of components and wiring.

Section 3

Maintenance

Routine maintenance maximizes operating efficiency and minimizes downtime. The maintenance procedures described below will prolong the life of the machine and help prevent accidents.

	WARNING
<p>The AC drive box cover and fan filter must be in place for the fan to properly cool the AC inverter drive. Failure to observe this warning will void the warranty and could lead to expensive AC inverter drive repair.</p>	
<small>SW038</small>	

	CAUTION
<p>Replace all panels that are removed to perform service and maintenance procedures. Do not operate the machine with missing guards or with broken or missing parts. Do not bypass any safety devices.</p>	
<small>SW019</small>	

Daily, weekly, monthly, and quarterly checklists are provided at the end of this section. Laminate the checklists to preserve them for repeated copying. Operators and technicians are encouraged to add checks specific to their machine's particular application. When possible, space is provided on the checklists for this purpose.

The following maintenance procedures must be performed regularly at the required intervals.

Daily

Beginning of Day

1. Inspect water inlet valve hose connections on the back of the machine for leaks.
2. Inspect steam hose connections for leaks, where applicable.
3. Verify that insulation is intact on all external wires and that all connections are secure. If bare wire is evident, call a service technician.
4. Check door interlock before starting operation:
 - a. Attempt to start the washer with the door open. The washer should not start with the door open.
 - b. Close the door without locking it and attempt to start the washer. The washer should not start with the door unlocked.
 - c. Close and lock the door and start a cycle. Attempt to open the door while the cycle is in progress. The door should not open.

If the door lock and interlock are not functioning properly, call a service technician.

Maintenance

Daily (Continued)

End of Day

1. Clean the AC drive box filter(s):
 - a. Snap off the external plastic cover which contains the filter. The 85-pound capacity machine has two filters.
 - b. Remove the foam filter from the cover.
 - c. Wash the filters with warm water and allow to air dry. Filters can be vacuumed clean.
2. Clean motor cooling fan filter:
 - a. Snap off the external plastic cover which contains the filter. Remove the foam filter from the cover.
 - b. Wash the filter in a mild soap solution or vacuum it clean.
3. Clean the door gasket of residual detergent and all foreign matter.
4. Clean automatic supply dispenser and lid inside and out with mild detergent. Rinse with clean water.
5. Clean the washer's top, front, and side panels with mild detergent. Rinse with clean water.
6. Leave loading door open at the end of each day to allow moisture to evaporate.

Note: Unload the machine promptly after each completed cycle to prevent moisture buildup. Leave loading door open at the end of each completed cycle to allow moisture to evaporate.

Weekly

1. Check the machine for leaks.
 - a. Start an unloaded cycle to fill the machine.
 - b. Verify that door and door gasket do not leak.
 - c. Verify that the drain valve is operating. If water does not leak out during the prewash segment, drain valve is closed and functioning properly.

Monthly

Note: Disconnect power to the machine at its source before performing the monthly maintenance procedures.

1. Each month OR after every 200 hours of operation, lubricate bearings and seals. (Locate the bearing lubrication decal behind the external supply unit on the top right of the machine.)
 - a. Use a premium-grade lithium-based #2 grease. Never mix two types of grease, such as petroleum and silicone.
 - b. Pump the grease gun slowly, permitting only the following number of strokes:
 - Bearing grease fitting, 2 strokes
 - Seal grease fitting, 1 stroke

Do not pump the grease gun until grease comes out of the bearing housing. This can result in overlubrication, causing damage to bearings and seals.

Maintenance

2. Clean the AC drive fins:
 - a. Remove the AC drive box cover.
 - b. Blow the fins clean using compressed air at a pressure of 60–90 psi or by using canned compressed air. Use care to avoid damaging cooling fan or other components.

Note: No amount of visible foreign matter should be allowed to accumulate on the fins or the finger guard.

3. Use the following procedures to determine if V-belts require replacement or adjustment. Call a qualified service technician in either case.
 - a. Check V-belts for uneven wear and frayed edges.
 - b. After disconnecting power to the machine and removing all panels necessary for access to the drive belt, use the following method to verify that V-belts are properly tensioned.

See Figure 28. Belt deflection should be measured as close to the center of the span length as possible. A set force should be applied in the center of the span length, as specified in the following table. Belt tension is adjusted by turning the setscrew on the idler pulley. Turning the screw clockwise tightens the belt, and vice versa.

Machine Capacity (lbs.)	Deflection (in.)	Force Applied (lbs.)
35	0.39	5.6
50	0.43	5.6
85	0.77	11.3

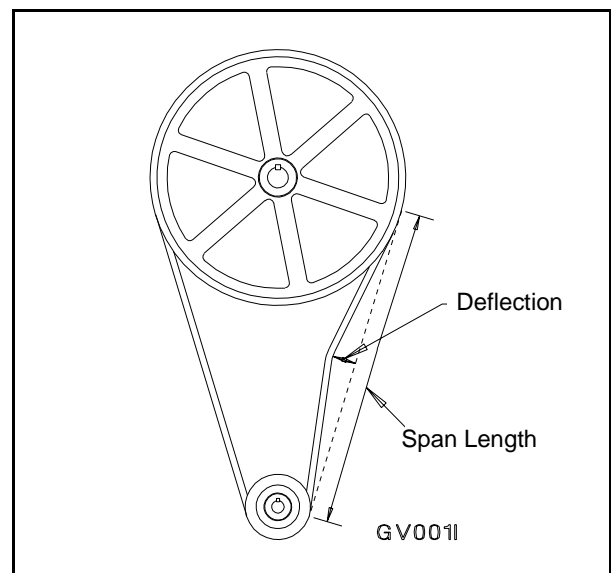


Figure 28

- c. Verify that V-belts are properly aligned by checking pulley alignment. Place a straightedge across both pulley faces. The straightedge should make contact with the pulleys in four places. See Figure 29.

Maintenance

Monthly (Continued)

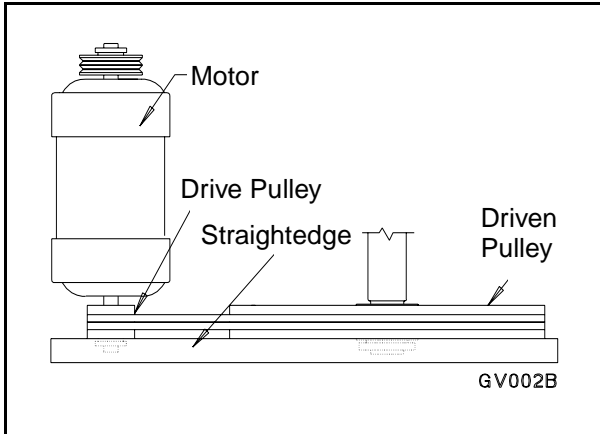


Figure 29

4. Remove back panel and check overflow hose and drain hose for leaks.
5. Clean inlet hose filter screen:
 - a. Turn water off and allow valve to cool, if necessary.
 - b. Unscrew inlet hose and remove filter screen.
 - c. Clean with soapy water and reinstall. Replace if worn or damaged.
6. Unlock the hinged lid and check the supply dispenser hoses and hose connections.
7. Tighten motor mounting bolt locknuts and bearing bolt locknuts, if necessary.
8. Use compressed air to clean lint from motor.
9. Clean interior of machine, both basket and shell, by wiping with a water-soaked sponge or cloth.
10. Use compressed air to ensure that all electrical components are free of moisture and dust.

Quarterly

Note: Disconnect power to the machine before performing the quarterly maintenance procedures.

1. Tighten door hinges and fasteners, if necessary.
2. Tighten anchor bolts, if necessary.
3. Check all painted surfaces for bare metal. (Matching gray paint is available from the manufacturer.)
 - If bare metal is showing, paint with primer or solvent-based paint.
 - If rust appears, remove it with sandpaper or by chemical means. Then paint with primer or solvent-based paint.
4. Clean steam filter, where applicable.
 - a. Turn off steam supply and allow time for the valve to cool.
 - b. Unscrew nut.
 - c. Remove element and clean.
 - d. Replace element and nut.
5. Inspect suspension components for wear or corrosion. Observe the operation of the machine to ensure proper tension and operation of the suspension system.
6. If the washer-extractor is equipped with one of the tilt options, inspect fasteners between the tilt mechanism and washer-extractor for corrosion. Verify that the fasteners are securely tightened.

Maintenance

Care of Stainless Steel

Maintain the natural beauty of stainless steel and prolong its service life by following these tips:

- Ordinary deposits of dirt and grease can be removed with detergent and water. The metal should be thoroughly rinsed and dried after washing. Periodic cleaning will help to maintain the bright surface appearance and prevent corrosion.
- Contact with dissimilar metals should be avoided whenever possible. This will help prevent galvanic corrosion when salty or acidic solutions are present.
- Salty or acidic solutions should not be allowed to evaporate and dry on stainless steel. They may cause corrosion. Ensure that the stainless steel is wiped clean of acidic solution residues.
- Deposits that adhere to the stainless steel should be removed, especially from crevices and corners. When using abrasive cleaners, always rub in the direction of the polish lines or “grain” of the stainless steel to avoid scratch marks. Never use ordinary steel wool or steel brushes on the stainless steel. Use stainless steel wool or soft non-metal bristle brushes.
- If the stainless steel appears to be rusting, the source of the rust may actually be an iron or steel part not made of stainless steel, such as a nail or screw. One remedy is to paint all carbon steel parts with a heavy protective coating. Stainless steel fasteners should be used when possible.
- Discolorations or heat tint from overheating may be removed by scouring with a powder or by employing special chemical solutions.
- Sanitizers or sterilizing solutions should not be left in stainless steel equipment for prolonged periods of time. They often contain chlorine, which may cause corrosion. The stainless steel should be cleaned and rinsed thoroughly of any solution containing chlorine.
- When an external chemical supply system is used, make certain that no siphoning of chemicals occurs when the washer-extractor is not in use. Highly concentrated chemicals can cause severe damage to stainless steel and other components within the machine. Damage of this kind is not covered by the manufacturer’s warranty. Locate the pump below the washer-extractor’s injection point to prevent siphoning of chemicals into the machine.

Maintenance

Daily Preventive Maintenance Checklist

Machine _____	Week Of: _____						
Operator _____	Days						
Checks	1	2	3	4	5	6	7
Observe All Safety Warnings!							
Beginning of Day							
1. Inspect water inlet valve hose connections on the back of the machine for leaks.							
2. Inspect steam hose connections for leaks, where applicable.							
3. Verify that insulation is intact on all external wires and that all connections are secure.							
4. Inspect door lock and interlock before starting operation:							
a. Attempt to start the washer with door open.							
b. Close the door without locking it and attempt to start the washer.							
c. Close and lock the door, start a cycle, and attempt to open the door while the cycle is in progress.							
5.							
End of Day							
1. Clean the AC drive box filter(s).							
2. Clean motor cooling fan filter.							
3. Clean the door gasket of all foreign matter.							
4. Clean automatic supply dispenser and lid.							
5. Clean the washer's top, front, and side panels.							
6. Leave loading door open at the end of each day to allow moisture to evaporate.							
7.							
<p>Note: Unload the machine promptly <i>after each completed cycle</i> to prevent moisture buildup.</p> <p>Note: Leave loading door open <i>after each completed cycle</i> to allow moisture to evaporate.</p> <p>Note: Improper replacement of the AC drive box filter will result in clogging of the pump.</p>							

Maintenance

Weekly Preventive Maintenance Checklist

Machine _____	Month _____				
Operator _____	Week Ending:				
Checks	/	/	/	/	/
Observe All Safety Warnings!					
1. Check the machine for leaks:					
a. Start an unloaded cycle to fill the machine.					
b. Verify that door and door gasket do not leak.					
c. Verify that the drain valve is operating.					
2.					
3.					
4.					
5.					
6.					
7.					

Maintenance

Monthly Preventive Maintenance Checklist

Machine _____ Operator _____	Month			
Checks				
Observe All Safety Warnings! Disconnect power to the machine before performing the monthly maintenance procedures.				
1. Each month OR every 200 hours of operation , lubricate the bearings and seals. (Locate the bearing lubrication decal behind the external supply unit on the top right of the machine.)				
2. Clean the AC drive fins.				
3. Determine if V-belts require replacement or adjustment:				
a. Check V-belts for uneven wear and frayed edges.				
b. Verify that V-belts are properly tensioned.				
c. Verify that V-belts are properly aligned.				
4. Remove back panel and check hoses for leaks.				
5. Clean inlet hose filter screen. Replace if worn or damaged.				
6. Tighten motor mounting bolt locknuts, bearing bolt locknuts, and idler pulley, if necessary.				
7. Use compressed air to clean lint from motor.				
8. Clean interior of machine, both basket and shell, by wiping with a water-soaked sponge or cloth.				
9. Use compressed air to clean moisture and dust from all electrical components.				
10.				
11.				

Maintenance

Quarterly Preventive Maintenance Checklist

Machine _____	Quarter			
Operator _____				
Checks				
Observe All Safety Warnings! Disconnect power to the machine before performing the quarterly maintenance procedures.				
1. Tighten door hinges and fasteners, if necessary.				
2. Tighten anchor bolts, if necessary.				
3. Check all painted surfaces for bare metal. Repair, if necessary.				
4. Clean steam filter, where applicable.				
5. Inspect suspension components.				
6. On models with tilt option, inspect fasteners on tilt mechanism for corrosion. Verify that fasteners are securely tightened.				
7.				
8.				
9.				
10.				
11.				
12.				
13.				
14.				

Section 4

Removal from Service

Decommissioning

In the event that the machine must be decommissioned, follow these steps:

1. Remove the chemical injection supply system, if applicable.
 - a. Have a qualified electrician disconnect power to the chemical injection supply system and the recirculation pump at their source.
 - b. Using the manufacturer's instructions, carefully remove the chemical injection supply system from the machine. Make certain that no chemical supplies come into contact with skin or clothing.
2. Clean interior of machine, both basket and shell.
 - a. Flush supply dispenser with water.
 - b. Run a short rinse cycle to clean chemical residues from the interior of the machine.
3. Disconnect electrical power.
 - a. Shut off main power supply at the breaker box or main control panel.
 - b. Do not attempt to disconnect power supply wires from power supply. Have a qualified electrician disconnect power to machine at its source.
4. Disconnect hoses.
 - a. Disconnect drain hose from sump, gutter, or drain.
 - b. Turn off water supply. Disconnect individual hot and cold water inlet hoses from the machine.
 - c. If applicable, disconnect the compressed air supply to the machine.
 - d. Allow time for residual water in the machine to drain. Then disconnect drain hose from the machine.
 - e. Disconnect necessary plumbing on the recirculation system.
5. Disconnect steam hose, if applicable.
 - a. Turn off steam supply and allow time for the valve to cool.
 - b. Disconnect steam hose from machine.
6. Remove the machine from its foundation pad.
 - a. Keep all panels in place to provide stability when moving the machine.
 - b. Verify that door is closed and secure.
 - c. Loosen and remove anchor bolts holding machine base to floor, if applicable.
 - d. Break the grout seal at each corner of the machine, using a crowbar, if applicable.

Removal from Service

Decommissioning (Continued)

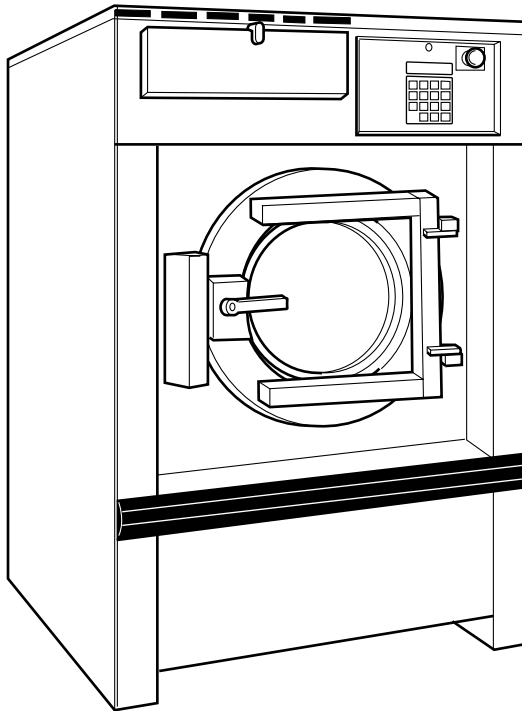
- e. Use crowbars at the front corners to lift the machine a few inches so that the forks of a forklift truck can reach under the machine.
- f. Bolting the base frame to a pallet will facilitate removal to a transport vehicle.

Lavadora extractora

con gabinete incorporado

Números de modelo

BF35PV	SF35PV	UF35PV
BF50PV	SF50PV	UF50PV
BF85PV	SF85PV	UF85PV



— **Instalación/Mantenimiento** —

Contenido

Instalación y mantenimiento

Seguridad

Descripción de los símbolos	62
Seguridad del operador	63
Medio ambiente donde usar la máquina	
sin peligro	64
Condiciones ambientales	64
Ubicación de la máquina	65
Servicios de entrada y salida	65
Mando inversor de CA.....	66
Uso incorrecto	67

Instalación

Información general de la máquina.....	69
Botón de paro de emergencia	70
Característica de limpieza húmeda	70
Inspección al recibir la máquina	70
Servicio a los clientes.....	70
Guía de familiarización con los números de modelo	71
Especificaciones generales para los modelos con capacidades de 35, 50 y 85 libras	72
Dimensiones de la máquina	74
Espacios libres	74
Cimientos para la máquina.....	78
Instalación mecánica	79
Instalación de los pernos de montaje para los modelos con capacidades de 35, 50 y 85 libras	79
Conexión del desagüe	83

Conexión de agua	85
Instalación eléctrica	86
Requisitos de vapor (Sólo para la opción de calor por vapor).....	89
Sistema de suministro por inyección de productos químicos	90
Compartimientos de suministro	91
Conexión de suministros líquidos externos a la lavadora extractora.....	91
Conexiones eléctricas de los sistemas de suministro por inyección de productos químicos.....	91
Módulo Premium de limpieza húmeda	93
Prueba de función de control	102
Proceso de limpieza húmeda.....	104

Mantenimiento

Diariamente	105
Al comienzo del día	105
Al final del día.....	106
Semanalmente.....	106
Mensualmente.....	107
Trimestralmente.....	109
Cuidados al acero inoxidable.....	110
Listas de revisión	111

Para poner fuera de servicio

Para poner fuera de servicio	115
------------------------------------	-----

© Copyright 1999, Alliance Laundry Systems LLC


Reservados todos los derechos. Ninguna sección del presente manual puede ser reproducida o transmitida en forma alguna o a través de ningún medio sin el expreso consentimiento por escrito del editor.


Sección 1


Seguridad


Cualquier persona que use o que dé servicio a esta máquina debe cumplir con las reglas de seguridad que incluimos en este manual. Se debe prestar atención especial a los avisos de **PELIGRO, ADVERTENCIA** y **PRECAUCIÓN** que aparecen en todo el manual.

Los siguientes avisos de seguridad son ejemplos generales que se aplican a esta máquina. Las advertencias específicas a una instalación o a algún procedimiento de mantenimiento en particular aparecen en el manual con la explicación de tal procedimiento.


	PRECAUCIÓN
Tenga cuidado cuando esté cerca de la puerta abierta, especialmente cuando cargue la ropa desde un nivel más bajo de la puerta. Si se llegara a golpear contra la orilla de la puerta podría sufrir lesiones personales.	
SW025	


	PELIGRO
Si algún niño se queda atrapado dentro de la máquina puede sufrir lesiones graves o hasta la muerte. No permita que los niños jueguen en o cerca de esta máquina. No deje de prestar atención a los niños mientras la puerta de esta máquina esté abierta.	
SW001	

	ADVERTENCIA
Hay voltajes peligrosos en las cajas de control eléctrico y en las conexiones del motor. Sólo el personal capacitado para realizar procedimientos de pruebas eléctricas y conocedor del equipo de pruebas y de las precauciones de seguridad debe intentar hacer ajustes y reparar averías. Desconecte la corriente eléctrica de la máquina antes de quitar la cubierta de la caja de control eléctrico y de intentar realizar los procedimientos de servicio.	
SW005	

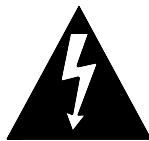
	ADVERTENCIA
Sólo personal capacitado de mantenimiento eléctrico debe instalar, ajustar y dar mantenimiento a esta máquina. Este personal debe estar familiarizado con la construcción y el funcionamiento de este tipo de maquinaria y con los peligros potenciales que presenta. Si no se cumple con esta advertencia, pueden ocasionarse lesiones personales y/o daños al equipo y podría anularse la garantía.	
SW004	

Seguridad

	PRECAUCIÓN
<p>Asegúrese de que esta máquina sea instalada sobre un piso nivelado con la suficiente resistencia y de que se mantengan los espacios libres necesarios para la inspección y el mantenimiento. Nunca permita que el espacio para inspección y mantenimiento quede bloqueado.</p>	
SW020	

	ADVERTENCIA
<p>Nunca toque tuberías, conexiones o componentes internos o externos de vapor. Estas superficies pueden estar demasiado calientes y pueden causar quemaduras graves. Es necesario cerrar el vapor y dejar enfriar las tuberías, las conexiones y los componentes antes de tocarlos.</p>	
SW014	

Descripción de los símbolos



El rayo con punta de flecha dentro del triángulo es un signo de advertencia que indica la presencia de voltaje peligroso.



Este símbolo de advertencia indica la presencia de productos químicos posiblemente peligrosos. Deben tomarse precauciones adecuadas al manejar materiales corrosivos o cáusticos.



El signo de admiración dentro del triángulo es un símbolo de advertencia que indica que existen importantes instrucciones acerca de la máquina y condiciones potencialmente peligrosas.



Este símbolo de advertencia indica que existen superficies calientes que podrían causar graves quemaduras. El acero inoxidable y las líneas de vapor pueden ponerse demasiado calientes y no deben ser tocadas.



Este símbolo de advertencia indica que hay mecanismos de transmisión (mando) potencialmente peligrosos dentro de la máquina. Los protectores siempre deben estar en su lugar cuando la máquina esté funcionando.




Este símbolo de advertencia indica que hay puntos de agarre potencialmente peligrosos. Las piezas mecánicas móviles pueden aplastar y/o cortar partes del cuerpo.

Seguridad

Para ofrecer seguridad personal y mantener la máquina funcionando correctamente, cumpla con todos los procedimientos de mantenimiento y seguridad que aparecen en este manual. Si tiene alguna pregunta concerniente a la seguridad, de inmediato póngase en contacto con el fabricante.

Use piezas de repuesto autorizadas por el fabricante de esta máquina para evitar situaciones peligrosas.

Seguridad del operador

	ADVERTENCIA
NUNCA meta las manos ni objetos dentro de la unidad de la canasta hasta que ésta se haya detenido por completo. Hacerlo podría ocasionar graves lesiones.	
SW012	

Por la seguridad de los operadores de la máquina, cumpla con los puntos de revisión diaria de mantenimiento:


1. Antes de usar la máquina, verifique que todos los avisos de seguridad estén visibles y en su lugar. Los avisos que falten o que no se puedan leer deben ser reemplazados de inmediato. Asegúrese de contar con avisos de repuesto.
2. Revise el sistema de enclavamiento de la puerta antes de usar la máquina:
 - a. Trate de arrancar la máquina con la puerta abierta. La máquina no debe arrancar si la puerta está abierta.
 - b. Cierra la puerta sin ponerle el seguro e intente arrancar la máquina. La máquina no debe arrancar si la puerta no está asegurada.

- c. Cierre y ponga el seguro a la puerta y comience el ciclo. Intente abrir la puerta mientras el ciclo está funcionando. No debe ser posible abrir la puerta.

Si el seguro y el sistema de enclavamiento de la puerta no funcionan correctamente, llame a un técnico de servicio.

3. No intente usar la máquina si se presenta cualquiera de las siguientes situaciones:
 - a. La puerta no permanece asegurada durante todo el ciclo.
 - b. Es evidente que el nivel de agua es demasiado alto.
 - c. La máquina no está conectada a un circuito correctamente conectado a tierra.

No evite ninguno de los dispositivos de seguridad de la máquina.

	ADVERTENCIA
Nunca use la máquina si el interruptor de balance está anulado o desconectado. Al usar la máquina con cargas muy desbalanceadas pueden ocasionarse graves lesiones personales y serios daños al equipo.	
SW010	

Seguridad

Medio ambiente donde usar la máquina sin peligro

Para que la máquina funcione sin peligro es necesario que el medio ambiente sea adecuado tanto para el operador como para la máquina. Si tiene alguna pregunta concerniente a la seguridad, de inmediato póngase en contacto con el fabricante.

Condiciones ambientales

- *Temperatura ambiente.* El agua en la máquina se congela a temperaturas inferiores a 32° F.

A temperaturas superiores a 50° C (120° F) el motor se sobrecalienta más frecuentemente y, en algunos casos, los dispositivos de estado sólido que se usan en algunos modelos pueden fallar o dañarse prematuramente. Es posible que sea necesario instalar dispositivos especiales de enfriamiento.


Los interruptores de presión de agua pueden resultar afectados por los aumentos y las disminuciones en la temperatura. Cada cambio de 10° C (25° F) en temperatura tendrá un efecto de 1% en el nivel de agua.

- *Humedad.* La humedad relativa superior al 90% puede hacer que el sistema electrónico o que los motores fallen y puede accionar el interruptor de falla en la conexión a tierra. También pueden presentarse problemas de corrosión en algunos componentes metálicos de la máquina.

Si la humedad relativa es menor al 30%, las correas y las mangueras de goma (caucho) pueden secarse. Esta condición puede ocasionar fugas en las mangueras, lo que

puede presentar peligros externos a la máquina y al equipo eléctrico adyacente.

- *Ventilación.* Es necesario evaluar periódicamente la necesidad de contar con aire de reemplazo en la lavandería para los equipos como secadoras, planchadoras, calentadores de agua, etc. Los reguladores de tiro (persianas), las mallas y otros dispositivos pueden reducir significativamente el aire disponible que entra por las aberturas.
- *Emisiones de frecuencia de radio.* Existe un filtro disponible para máquinas instaladas en lugares donde éstas comparten el área con equipo sensitivo a emisiones de frecuencia de radio.
- *Elevación.* Si la máquina va a ser usada a elevaciones sobre los 1.000 metros (3.280 pies) sobre el nivel del mar, ponga especial atención a los niveles de agua y a los ajustes electrónicos (particularmente la temperatura), ya que de lo contrario es posible que no obtenga buenos resultados.
- *Productos químicos.* No permita que queden residuos de productos químicos sobre las superficies de acero inoxidable.

	PELIGRO
No coloque fluidos volátiles ni inflamables en ninguna máquina. No limpie la máquina con fluidos volátiles ni inflamables tales como acetona, adelgazadores de lacas, reductores de esmaltes, tetracloruro de carbono, gasolina, benceno, naftaleno, etc. Si lo hace puede causar graves lesiones personales y/o daños a la máquina.	
SW002	

Seguridad


- *Daños causados por agua.* No rocíe la máquina con agua. Pueden ocasionarse cortos circuitos y daños considerables. Repare de inmediato las fugas debidas a empaques desgastados o dañados.

Ubicación de la máquina

- *Cimentación.* El piso de concreto debe tener la resistencia y el espesor necesarios para soportar cargas generadas por las altas velocidades de extracción de la máquina.
- *Espacio para servicio y mantenimiento.* Deje suficiente espacio para realizar procedimientos de servicio y mantenimiento de rutina.

Esto es especialmente importante en relación con máquinas equipadas con un mando inversor de CA.

Consulte las instrucciones de instalación para obtener detalles específicos.

	PRECAUCIÓN
<p>Vuelva a colocar todos los paneles que haya quitado al realizar los procedimientos de servicio y mantenimiento. No use la máquina si no tiene instalados todos los protectores ni si tiene piezas descompuestas o si le faltan piezas. No evite ningún dispositivo de seguridad.</p> <p style="text-align: right;">SW019</p>	

Servicios de entrada y salida

- *Presión de agua.* Se obtiene el mejor rendimiento si el agua se suministra a una presión entre 2,0 y 5,7 Barías (30 y 85 PSI). Aunque la máquina funciona correctamente a presiones menores, se tarda más en llenar. A presiones mayores de 6,7 Barías (100 PSI) las tuberías de la máquina pueden sufrir daños, ciertos componentes pueden fallar y pueden ocasionarse graves lesiones personales.
- *Presión de vapor (opcional).* Se obtiene el mejor rendimiento si el vapor se suministra a una presión entre (30 y 80 PSI) 2,0 y 5,4 Barías. A presiones mayores de 8,5 Barías (125 PSI) los componentes de vapor pueden sufrir daños y pueden ocasionarse graves lesiones personales.


En el caso de máquinas equipadas con calor de vapor opcional, instale tubería que cumpla con las normas comerciales para vapor. Si no se instala el filtro para línea de vapor que adjuntamos se anula la garantía.

Aire comprimido. En el caso de máquinas que requieren servicio de aire comprimido, se obtiene un mejor rendimiento si el aire se suministra a una presión entre 5,4 y 6,7 Barías (80 y 100 PSI). Las máquinas de mayor capacidad podrían experimentar un fallo en el sellado de la puerta si se interrumpe el servicio de aire comprimido.

Seguridad

Medio ambiente donde usar la máquina sin peligro (continuación)

- *Sistema de desagüe.* Instale líneas de desagüe o canaletas lo suficientemente grandes para el número total de galones que podrían desaguar si todas las máquinas instaladas en ese lugar se desaguaran al mismo tiempo desde el nivel más alto de agua posible. Si usa canaletas, éstas deben estar cubiertas de tal forma que soporten tráfico ligero a pie.
- *Potencia.* Por su seguridad personal y para obtener un funcionamiento correcto, la máquina debe estar conectada a tierra de acuerdo a las normas estatales y locales. La conexión a tierra debe ser hecha a una conexión real a tierra, no a un conducto ni a tuberías de agua. No use fusibles para reemplazar el cortacircuitos. También debe instalarse un interruptor de corte de corriente en algún lugar accesible.

	ADVERTENCIA
Asegúrese de conectar un conductor de conexión a tierra a una conexión real a tierra en la terminal ubicada cerca del bloque de conexiones de entrada en esta máquina. Si la máquina no se conecta correctamente a tierra, podrían ocasionarse lesiones personales graves por descarga eléctrica y daño a la máquina.	
SW008	

Siempre desconecte el suministro de corriente eléctrica y de agua antes de que un técnico de servicio lleve a cabo cualquier procedimiento de servicio. Cuando corresponda, el suministro de vapor y/o de aire comprimido también deben ser desconectados antes de realizar el servicio.

Mando inversor de CA

Las máquinas equipadas con el mando inversor de CA requieren especial atención en relación al ambiente de trabajo.

- En los lugares donde hay demasiado polvo o pelusa es necesario limpiar más frecuentemente el filtro del ventilador de enfriamiento del mando inversor de CA y el mando en sí.
- Las fluctuaciones de corriente eléctrica de fuentes tales como suministros de potencia no interrumpible (UPS) pueden afectar adversamente las máquinas equipadas con el mando inversor de CA. Se deben utilizar dispositivos apropiados de supresión de fluctuaciones en la corriente de suministro a la máquina, para evitar problemas.
- Un suministro de energía sin picos de voltaje y sin sobrevoltajes momentáneos es absolutamente esencial para las máquinas equipadas con el mando inversor de CA. Las inconsistencias no lineales (picos y valles) en el suministro de energía pueden causar que el mando inversor de CA genere errores de interferencia.

Si el voltaje está por encima de los 230 Voltios en instalaciones para 200 Voltios, o sobre 440 Voltios en instalaciones para 400 Voltios, se recomienda utilizar un transformador reductor-elevador. Si el voltaje es mayor de 240 ó 480 Voltios, se requiere un transformador reductor-elevador.

- Es especialmente importante contar con espacio suficiente para llevar a cabo los procedimientos de servicio y de mantenimiento de rutina en las máquinas equipadas con un mando inversor de CA.

Uso incorrecto

Nunca use esta máquina con otro propósito que no sea lavar tela.

- Nunca lave trapos remojados en petróleo en la máquina. Esto puede ocasionar una explosión.
- Nunca lave piezas de maquinaria o de automóviles en la máquina. Esto puede dañar seriamente la canasta.
- Nunca permita que los niños jueguen en o cerca de esta máquina. Si algún niño queda atrapado dentro de la máquina pueden sufrir lesiones de gravedad o morir. No deje de prestar atención a los niños mientras la puerta de esta máquina esté abierta. Estas precauciones también se aplican a los animales.

Sección 2

Instalación

Este manual está diseñado como guía para la instalación y el mantenimiento de las lavadoras extractoras con gabinete incorporado de 35, 50 y 85 libras de capacidad.

Los manuales, instrucciones de instalación y diagramas de cableado que vienen con la máquina se incluyen sin costo alguno; si requiere copias adicionales, puede obtenerlas por un costo nominal.

Nota: Toda la información, las ilustraciones y las especificaciones incluidas en este manual están basadas en la información de producción más reciente al momento de impresión. Nos reservamos el derecho de hacer cambios en cualquier momento y sin previo aviso.

Información general de la máquina

El diseño de estas lavadoras extractoras enfatiza la confiabilidad en el rendimiento y una larga vida de servicio. El cilindro, la coraza y los paneles del cuerpo principal están fabricados de acero inoxidable.

La lavadora extractora cuenta con la computadora WE-6 que ofrece 39 ciclos preprogramados y la versatilidad de poder programar en el campo.

El control del mando inversor de CA proporciona velocidades programables del motor mediante un solo motor. De esta manera le es posible alcanzar velocidades de extracción sumamente altas.

El cilindro está soportado mediante rodamientos de bolas montados dentro de un soporte giratorio.

El cilindro tiene elevadores o aristas que levantan la ropa, sacándola del baño de solución cuando el cilindro gira a una baja velocidad y luego la deja caer una vez más dentro del baño. Esta acción mecánica realiza la acción de lavado. El cilindro presenta perforaciones, las cuales permiten que el agua salga durante los pasos de lavado y de extracción.

El surtidor de suministros está localizado en el lado superior izquierdo del panel de control. Sus compartimientos son accesibles abriendo la cubierta del surtidor. Estos compartimientos aceptan suministros líquidos o en polvo. Cada uno de ellos es controlado de forma independiente por la computadora WE-6.

Los controles eléctricos de la lavadora extractora se alojan dentro de gabinetes independientes. El módulo de control frontal está localizado detrás del teclado y el panel de control. En él se alojan la tarjeta de la computadora WE-6, una tarjeta de fusibles y relés, y otros componentes eléctricos funcionales. El módulo de control trasero aloja el mando inversor de CA y sus componentes.

Instalación

Información general de la máquina (continuación)

Un sistema de cierre de la puerta evita que la puerta se abra cuando hay agua en la lavadora extractora. También evita que ésta funcione cuando la puerta está abierta.

La caja de la puerta contiene el detector de puerta cerrada de efecto Hall, detector de puerta abierta y el solenoide para quitar el seguro a la puerta.

Las válvulas electromecánicas controlan el flujo de agua dentro de la lavadora extractora.

Botón de paro de emergencia

Hay un botón rojo de paro de emergencia ubicado en la parte delantera derecha de la máquina. Pulse este botón para parar la máquina.

Características de la limpieza húmeda

La lavadora extractora brinda las siguientes características de limpieza húmeda: una velocidad mediana de lavado que proporciona una acción mecánica ligera durante el lavado, ocho señales de suministro que dan señales normales de lavado para surtir el detergente, el blanqueador, el suavizador, los ácidos, etc. y también para productos químicos exclusivos del proceso de limpieza húmeda.

Inspección al recibir la máquina

Al recibir su equipo, revise visualmente la caja, la cubierta protectora y la unidad para determinar si existen daños visibles. Si la caja, la cubierta o la unidad están dañadas o tienen señales evidentes de posible daños, pida al transportista que anote esta condición en los documentos de transporte antes de que usted firme de recibido, o avise al transportista que existe un problema en cuanto lo detecte.

Quite la caja y la cubierta protectora tan pronto como le sea posible después de recibir su máquina. Si descubre algún daño al quitar la caja o la cubierta protectora, avísele al transportista y haga de inmediato una reclamación por escrito.

Servicio a los clientes

Si necesita refacciones o documentos, llame al lugar donde haya adquirido su lavadora extractora o póngase en contacto con Alliance Laundry Systems al teléfono (920) 748-3950 para obtener el nombre de su distribuidor autorizado de refacciones más cercano.

Para obtener asistencia técnica, llame a cualquiera de los siguientes números:

(850) 718-1035

(850) 718-1026

Marianna, Florida

(920) 748-3121

Ripon, Wisconsin

El fabricante mantiene un registro de cada una de las lavadoras extractoras. La calcomanía que contiene el número de serie se encuentra en la parte de atrás de la máquina. La Figura 1 muestra la ubicación de la calcomanía que contiene el número de serie. Siempre proporcione el número de serie y el número de modelo de su máquina cuando haga pedidos de piezas o cuando solicite ayuda técnica.

Instalación

Guía de familiarización con los números de modelo	
Ejemplo de número de modelo: UF50PVQU10001	
UF	Prefijo del número de modelo
50	Capacidad de la lavadora extractora (libras de peso en seco)
P	Tipo de control eléctrico P = Computadora WE-6
V	Velocidades disponibles de la lavadora extractora V = 7 velocidades
Q	Características eléctricas Vea la tabla de especificaciones eléctricas en esta sección.
U3	Serie de diseño
0001	Identificación de opción (varía de máquina a máquina)

Model No.	UF50PVQU30001	
Serial No.	000000000000	
Voltage	200-240	Amps 15
Required Circuit Breaker Amps	30	
Hz	60	Wire 3 Phase 3
Max. Load	50 LB	23 KG Max. Speed 900 RPM
Elec. Heating	KW	Steam Press. PSI BAR
<div style="border: 1px solid black; padding: 5px; margin: 5px auto; width: 80%;"> <p style="font-size: small; margin: 0;">ETL LISTED CONFORMS TO ANSI/UL STD. 1555 ANSI/UL STD. 1206</p> <p style="font-size: x-small; margin: 0;">ETL TESTING LABORATORIES, INC. CORTLAND, NEW YORK 13045</p> </div>		
Product No.	500000	Date Code

G00311A

Figura 1

Instalación

Especificaciones generales de las maquinas de 35, 50 y 85 libras de capacidad				
	35	50	85	
<i>Dimensiones generales</i>				
Anchura general, mm (plg)	889 (35)	990 (39)	1181 (46,5)	
Altura general, mm (plg)	1407 (55,4)	1514 (59,6)	1781 (70,1)	
Profundidad general, mm (plg)	992 (39)	1049 (41,3)	1270 (50)	
<i>Información de peso y transporte</i>				
Peso neto, kg (lb)	550 (1212)	726 (1600)	1362 (3000)	
Peso de transporte nacional, kg (lb)	572 (1260)	749 (1650)	1407 (3100)	
Volumen de transporte nacional, m ³ (pie ³)	1,80 (63,6)	2,26 (80)	3,46 (123)	
Peso de transporte de exportación, kg (lb)	580 (1275)	795 (1750)	1453 (3200)	
Volumen de transporte de exportación, m ³ (pie ³)	1,85 (65,3)	2,36 (83,5)	3,86 (137)	
<i>Información del cilindro de lavado</i>				
Diámetro del cilindro, mm (plg)	668 (26,25)	762 (30)	914 (36)	
Profundidad del cilindro, mm (plg)	467 (18,375)	508 (20)	610 (24)	
Volumen del cilindro, lt (pie ³)	164 (5,79)	232 (8,19)	400 (14,1)	
Tamaño de las perforaciones, mm (plg)	4,77 (0,188)	4,77 (0,188)	4,77 (0,188)	
Área abierta de las perforaciones, %	23	23	23	
<i>Información de la abertura de la puerta</i>				
Tamaño de la abertura de la puerta, mm (plg)	354 (13,9)	413 (16,25)	445 (17,5)	
Altura de la parte inferior de la puerta desde el piso, mm (plg)	636 (25)	585 (23)	831 (32,7)	
<i>Consumo de agua</i>				
Consumo promedio de agua por ciclo, lt (gal)	CALIENTE	178 (47)	216 (57)	407 (108)
	FRÍA	79 (21)	98 (26)	190 (50)
Agua caliente usada en promedio por hora, lt (gal)		276 (73)	322 (85)	579 (153)
<i>Consumo de energía</i>				
Energía promedio usada por ciclo, kW/hr	0,4	0,6	0,9	
Carga HVAC promedio, kcal/hr (BTU/hr)	125 (500)	213 (850)	300 (1200)	
Emisión de ruido nominal máxima, dBA	70	76	75	
Nivel de ruido de fondo, dBA	54	49	55	
<i>Información del tren de transmisión</i>				
Número de motores en el tren de transmisión	1	1	1	
Potencia del motor de mando, kW (hp)	2,2 (3)	3,7 (5,0)	5,6 (7,5)	

Instalación

Especificaciones generales de las maquinas de 35, 50 y 85 libras de capacidad (continuación)				
	35	50	85	
<i>Velocidades del cilindro</i>				
Velocidad baja de lavado/inversion, rpm	26	26	26	
Velocidad de lavado/inversión, rpm	43	40	41	
Velocidad de distribución/enjuague, rpm	77	73	65	
Velocidad mediana de extracción, rpm	325	305	280	
Velocidad alta de extracción 1, rpm	475	445	410	
Velocidad alta de extracción 2, rpm	610	575	525	
Velocidad alta de extracción 3, rpm	960	900	825	
<i>Datos de la fuerza centrífuga</i>				
Fuerza centrífuga a velocidad baja de lavado/inversion, Gs	0,25	0,29	0,345	
Fuerza centrífuga de lavado/inversión, Gs	0,69	0,68	0,858	
Fuerza centrífuga a velocidad de distribución/enjuague, Gs	2,2	2,3	2,16	
Fuerza centrífuga a velocidad mediana de extracción, Gs	40	40	40	
Fuerza centrífuga a velocidad alta de extracción 1, Gs	85	84	85,8	
Fuerza centrífuga a velocidad alta de extracción 2, Gs	140	141	141	
Fuerza centrífuga a velocidad alta de extracción 3, Gs	345	345	348	
<i>Detección de balance</i>				
Interruptor de protección contra vibraciones	Estándar	Estándar	Estándar	
<i>Calentamiento por vapor directo (opcional)</i>				
Tamaño de la conexión de entrada de vapor, mm (plg)	DN15 (0,5)	DN15 (0,5)	DN15 (0,5)	
Número de entradas de vapor	1	1	1	
Vapor requerido para elevar la temperatura del agua de lavado 10° C, kg (10° F, lb)	BAJO	1,6 (2,22)	2,12 (2,94)	3,8 (5,2)
	MEDIANO	1,81 (2,52)	2,46 (3,42)	4,3 (5,9)
	ALTO	2,04 (2,84)	2,73 (3,80)	4,9 (6,9)
Consumo promedio por ciclo, (kg) BHP	23 (1,47)	30,6 (1,95)	54,9 (3,5)	
<i>Calentamiento eléctrico (opcional)</i>				
Capacidad de calentamiento eléctrico total, kW	15,6	23,4	31,2	
Número de elementos de calentamiento eléctrico	6	9	12	
Capacidad de los elementos de calentamiento eléctrico, kW	2,6	2,6	2,6	
Tiempo requerido para elevar la temperatura del agua de lavado 10° C, kg (10° F, mín.)	BAJO	3,9 (2,6)	3,6 (2,4)	4,8 (3,1)
	MEDIANO	4,5 (2,9)	4,2 (2,7)	5,4 (3,5)
	ALTO	5,0 (3,3)	4,7 (3,1)	6,4 (4,1)

Instalación

Dimensiones de la máquina

La Figura 2 muestra las dimensiones de los modelos de 35 libras de capacidad. La Figura 3 muestra las dimensiones de los modelos de 50 libras de capacidad. La Figura 4 muestra las dimensiones de los modelos de 85 libras de capacidad.

Nota: Las dimensiones que aparecen aquí sólo son para propósitos de planeación. Son valores aproximados y están sujetos a las tolerancias normales de fabricación. Si tiene necesidad de conocer las dimensiones exactas, póngase en contacto con su distribuidor o fabricante. Nos reservamos el derecho de hacer cambios en cualquier momento sin previo aviso.

Espacios libres

La tabla siguiente muestra los espacios libres mínimos recomendados por cada uno de los lados de la lavadora extractora.

Espacios libres mínimos recomendados			
	35	50	85
Espacio mínimo por detrás, mm (plg)	450 (18)	450 (18)	450 (18)
Espacio mínimo entre la máquina y la pared, mm (plg)	150 (6)	150 (6)	150 (6)
Espacio mínimo entre máquinas (lateral), mm (plg)	25,4 (1)	25,4 (1)	25,4 (1)
Espacio mínimo por delante, mm (plg)	533 (21)	584 (23)	584 (23)

Instalación

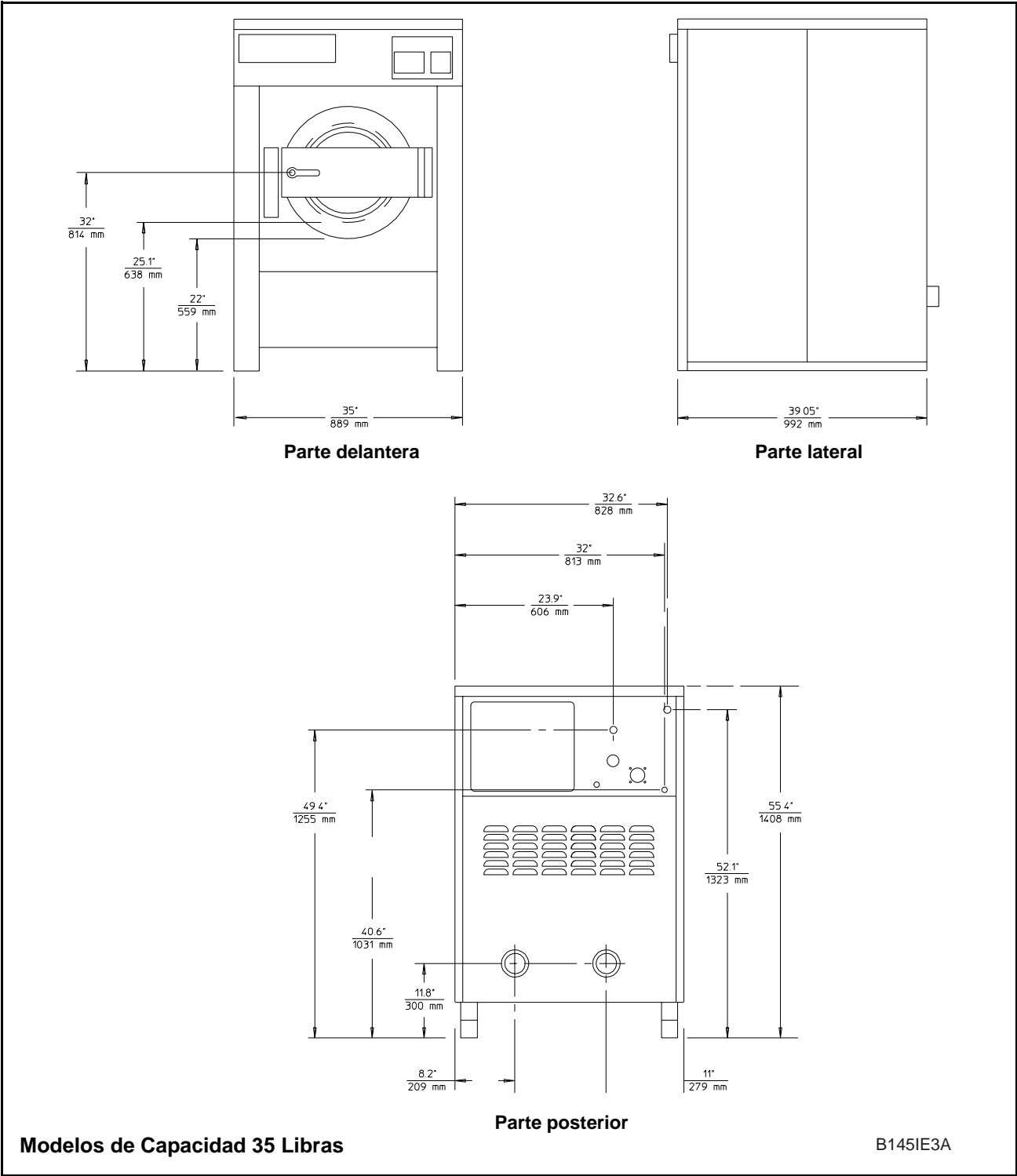


Figura 2

Instalación

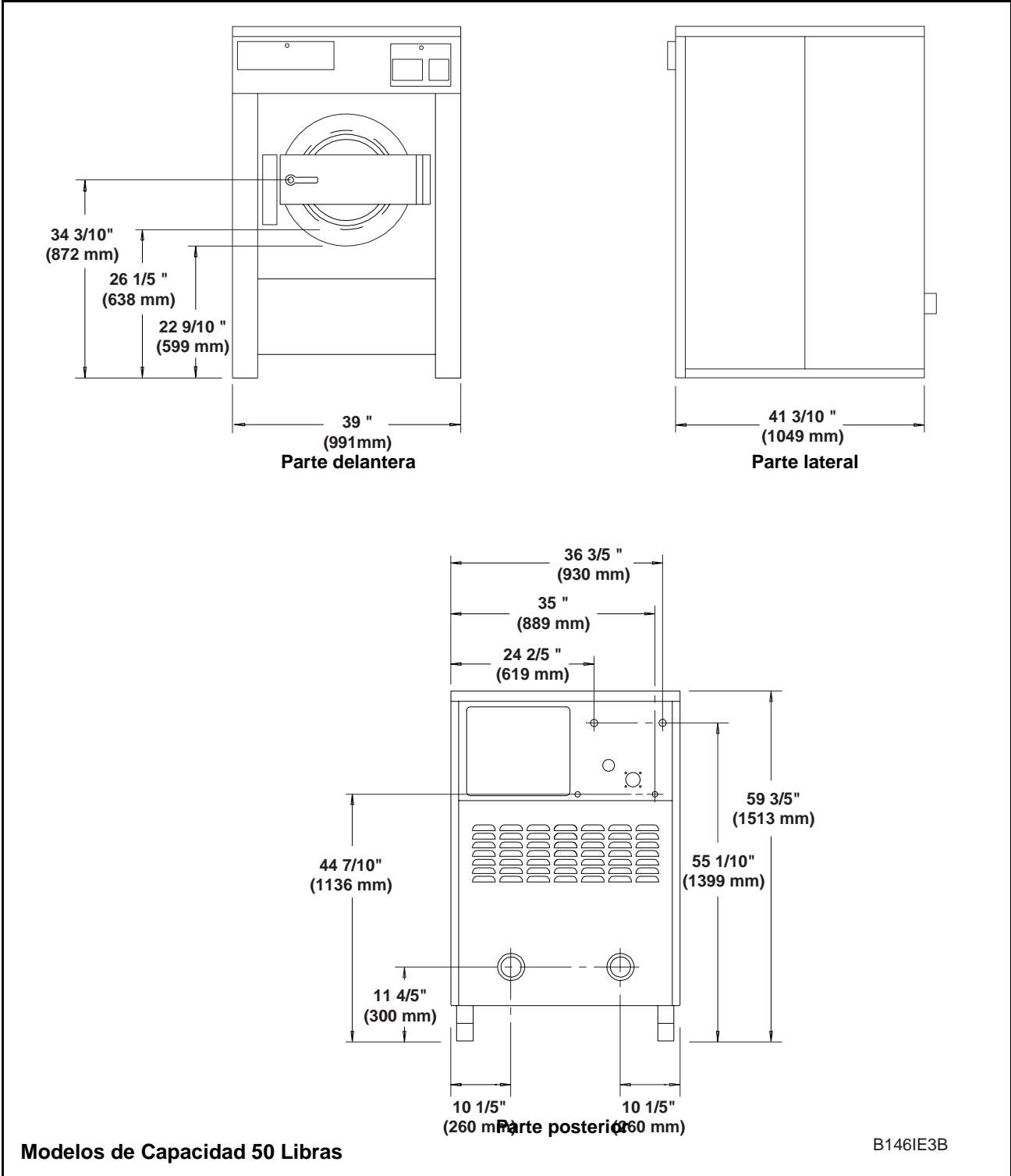


Figura 3

Instalación

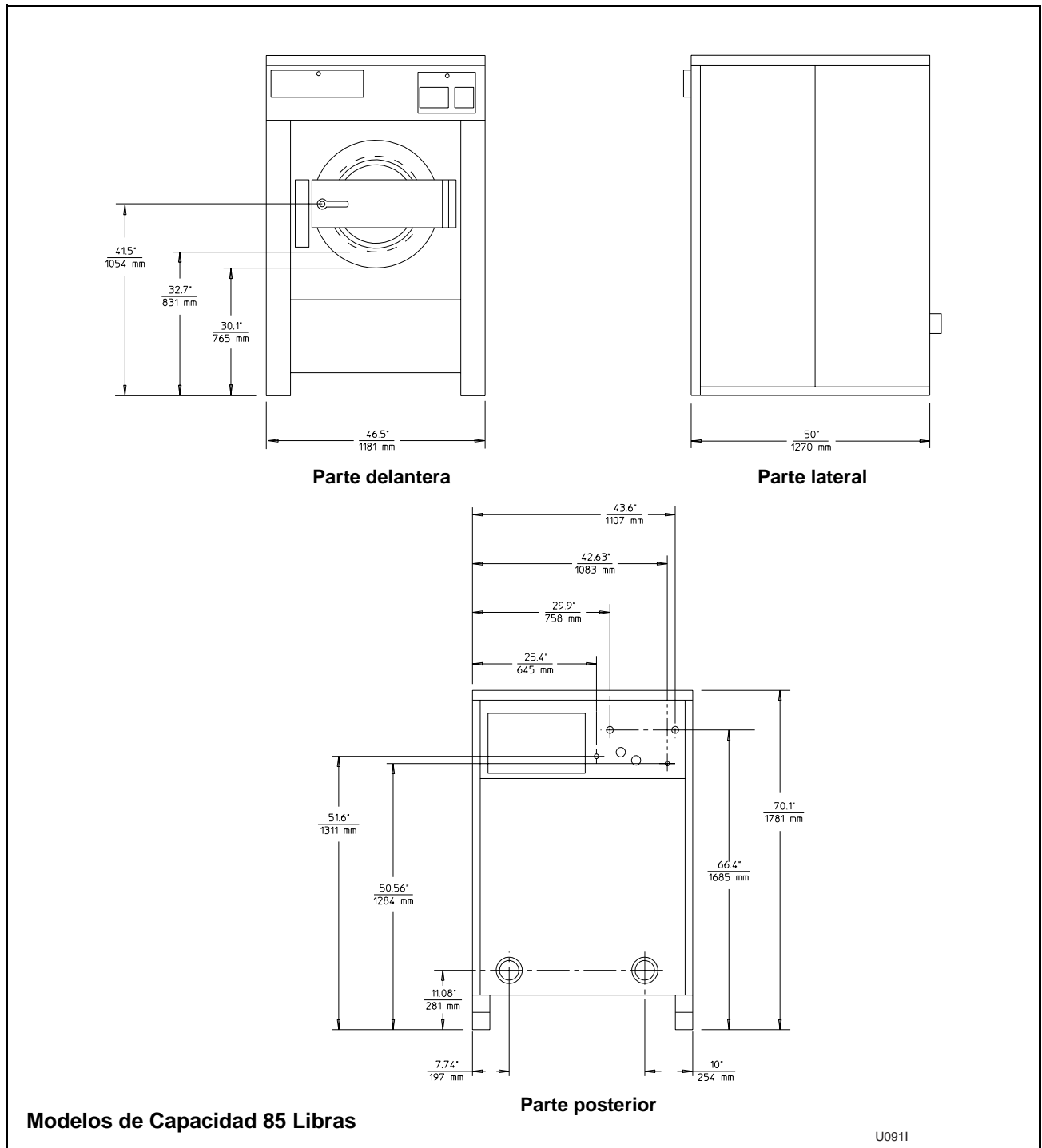



Figura 4

Instalación

Cimientos para la máquina

Es muy importante prestar atención al detalle con respecto al trabajo de cimentación para asegurar que la instalación de la unidad sea estable, eliminando así todas las posibilidades de vibraciones excesivas durante el proceso de extracción.

	PRECAUCIÓN
Asegúrese de que esta máquina quede instalada sobre un piso nivelado con suficiente resistencia y de que se dejen los espacios libres recomendados. Nunca permita que quede bloqueado el espacio para realizar inspecciones y mantenimiento.	
SW020	

La lavadora extractora debe estar anclada a una superficie uniforme y nivelada, de tal forma que toda la base quede apoyada y descansa sobre toda la superficie de montaje. (No soporte la lavadora extractora sólo en cuatro puntos).

Las lavadoras extractoras con capacidades de 35, 50 y 85 libras no requieren anclaje a menos que lo establezcan los códigos locales o estatales.

Las cargas estáticas y dinámicas en el piso o en los cimientos aparecen en la siguiente tabla. Esta tabla puede ser usada como referencia al diseñar pisos y cimientos.

Datos de carga sobre el piso			
	35	50	85
Carga estática sobre el piso, kN (lbs)	6,47 (1453)	8,58 (1929)	15,4 (3452)
Presión estática, kN-m ² (lbs-pie ²)	7,32 (153)	8,23 (172)	10,3 (214)
Carga dinámica sobre el piso, kN (lbs)	0,67 (150)	0,89 (200)	1,78 (400)
Carga dinámica máxima, kN (lbs)	0,67 (150)	0,89 (200)	1,78 (400)
Presión dinámica, kN-m ² (lbs-pie ²)	0,76 (15,8)	0,86 (17,9)	1,19 (24,8)

Instalación

Instalación mecánica (continuación)

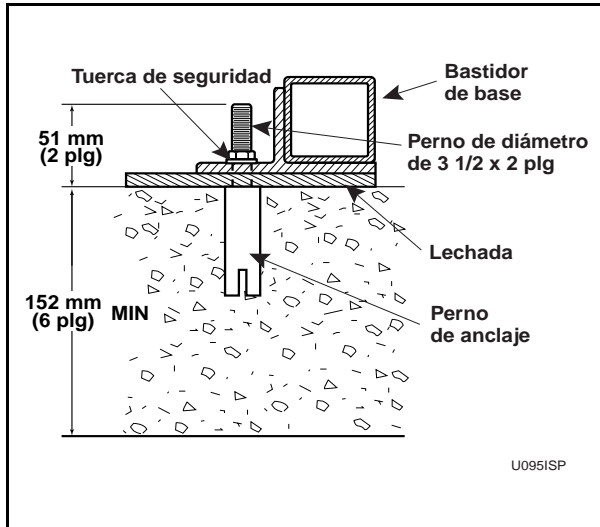


Figura 8

Una vez que se hayan instalados los pernos de anclaje y el concreto se haya curado, haga lo siguiente:

1. Coloque la lavadora extractora junto a los cimientos. No intente mover la máquina empujándola de los lados. Siempre introduzca una barra de palanca o algún otro dispositivo abajo del bastidor inferior de la máquina para moverla.
2. Quite la tarima de madera destornillando los pernos de transporte que sostienen la tarima al bastidor inferior de la lavadora extractora.
3. Coloque la lavadora extractora con cuidado sobre los pernos de anclaje. Nunca intente levantar la máquina sosteniéndola de la manija de la puerta o empujando los paneles de la cubierta.
4. Levante y nivele la lavadora extractora 1/2 pulgada sobre el piso en tres puntos, utilizando espaciadores tales como tuercas.

5. Rellene el espacio entre la base de la lavadora extractora y el piso con lechada de buena calidad para maquinaria, que no encoja, para asegurarse de que la instalación quede estable. Vea en la Figura 9 los detalles de aplicación de lechada en el modelo de 35 libras de capacidad. Vea en la Figura 10 los detalles de aplicación de lechada en el modelo de 50 libras de capacidad. Vea en la Figura 11 los detalles de aplicación de lechada en el modelo de 85 libras de capacidad.

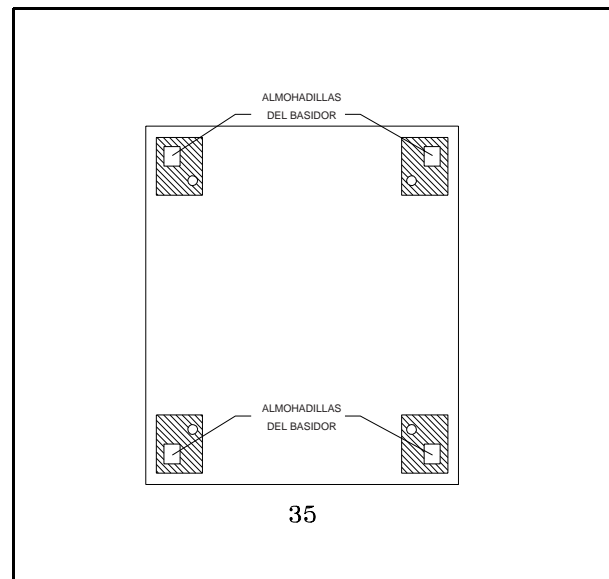


Figura 9

Instalación

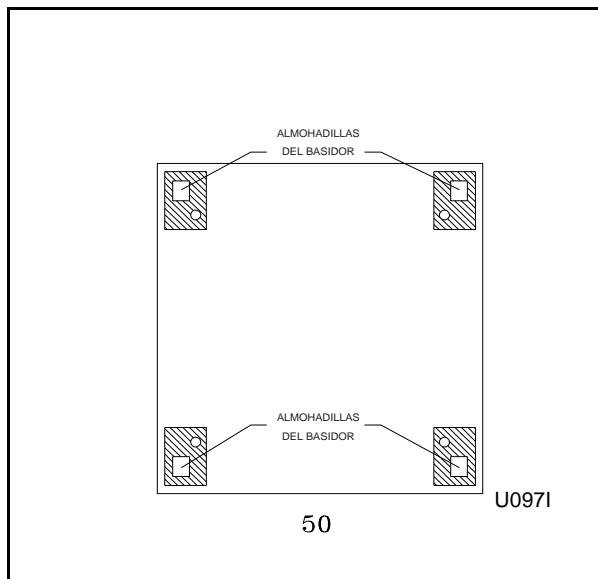


Figura 10

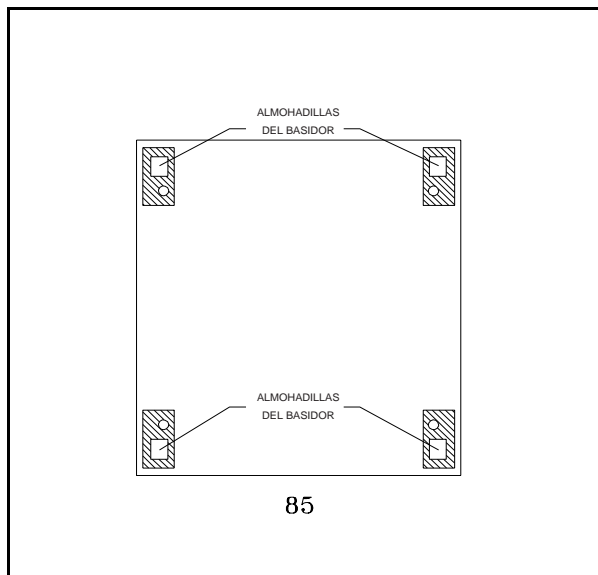


Figura 11

6. Quite los espaciadores con cuidado, permitiendo que la máquina se asiente bien en la lechada húmeda.
7. Coloque las arandelas y las contratuercas de los pernos de montaje en los pernos de anclaje y apriete las contratuercas con los dedos a la base de la máquina.
8. Una vez que la lechada esté completamente seca, apriete las contratuercas en incrementos iguales, una tras otra, hasta que haya apretados todas en forma pareja y la lavadora extractora haya quedado firmemente asegurada al piso.
9. Saque los cuatro soportes rojos que se utilizan para asegurar la máquina durante el transporte. Vea la Figura 12.

Instalación

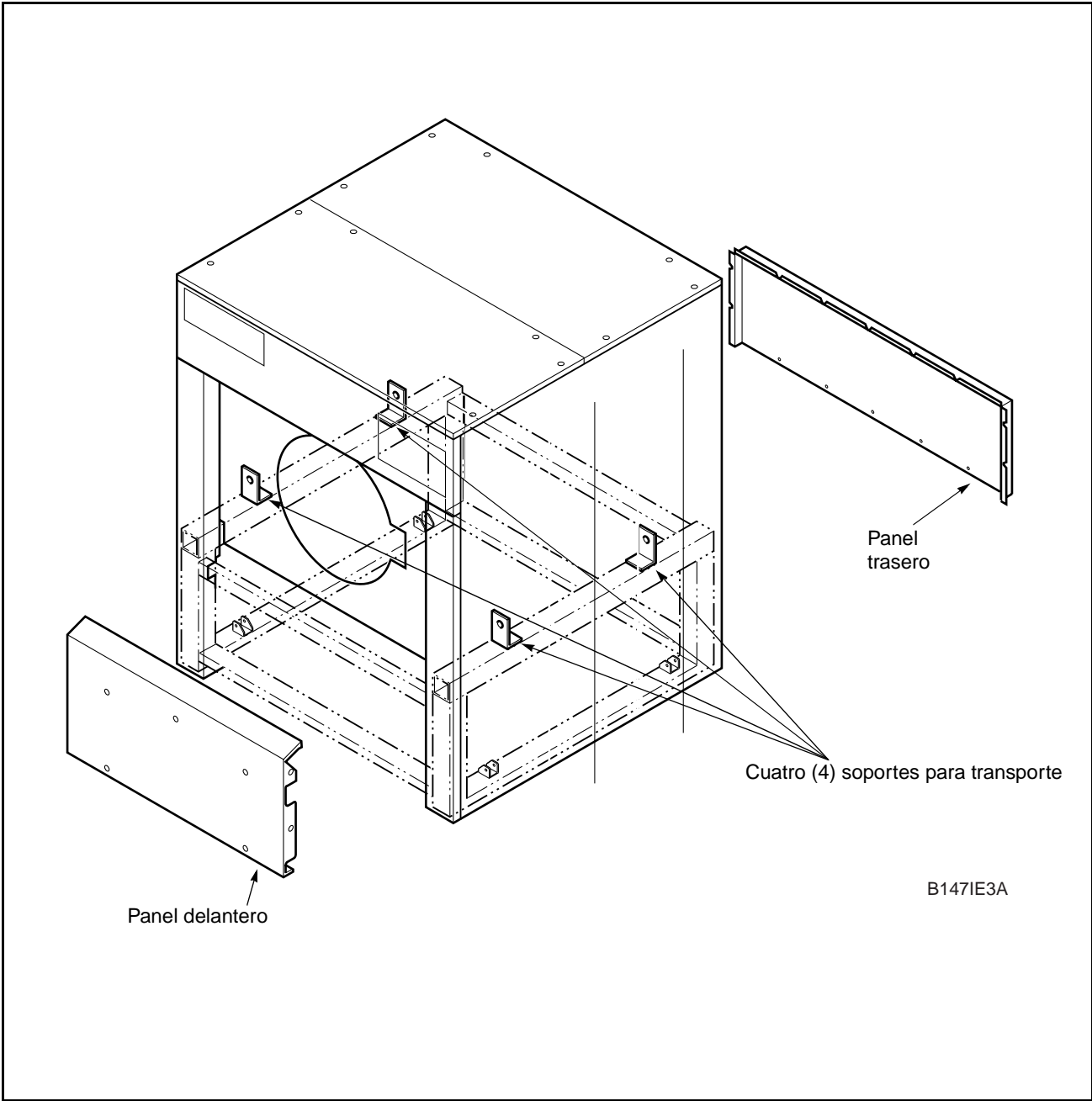


Figura 12

Instalación

Conexión del desagüe

Es necesario contar con un sistema de desagüe de capacidad adecuada para obtener un buen funcionamiento de la lavadora extractora. Idealmente, el agua debe salir por medio de una tubería con ventilación directamente a un desagüe sumergido o de piso. Las Figuras 13 y 14 muestran las configuraciones de línea de desagüe y de canaleta.

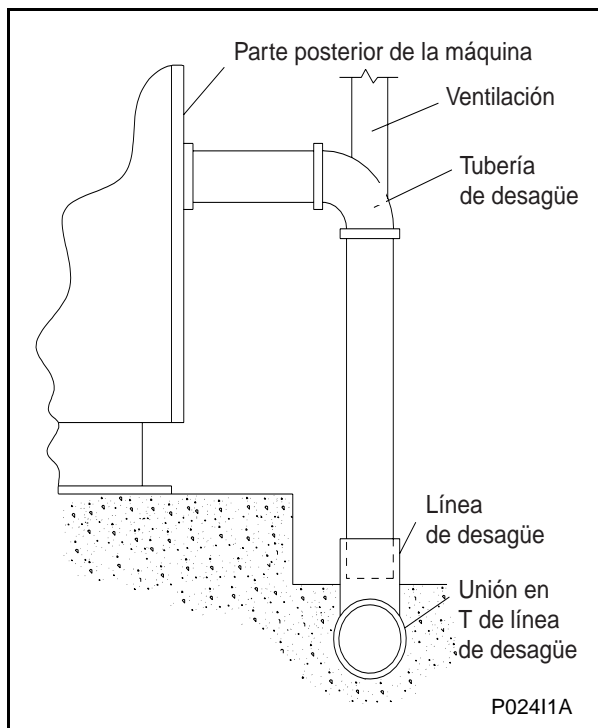


Figura 13

Debe hacerse una conexión flexible a un sistema de drenaje con ventilación para evitar bloqueos de aire y para evitar los efectos de sifón. Si no se cuenta con el tamaño adecuado de drenaje, es necesario contar con un tanque acumulador. debe usarse un tanque acumulador junto con una bomba de sumidero cuando no sea posible desaguar por gravedad, como por ejemplo en instalaciones subterráneas.

Antes de intentar variar los procedimientos especificados de instalación, el cliente o el instalador debe ponerse en contacto con el distribuidor.

Al aumentar la longitud de la manguera de desagüe, al instalar codos o al causar curvas se disminuye la tasa de flujo de desagüe y se aumentan los tiempos de desagüe, evitando el buen funcionamiento de la lavadora extractora.

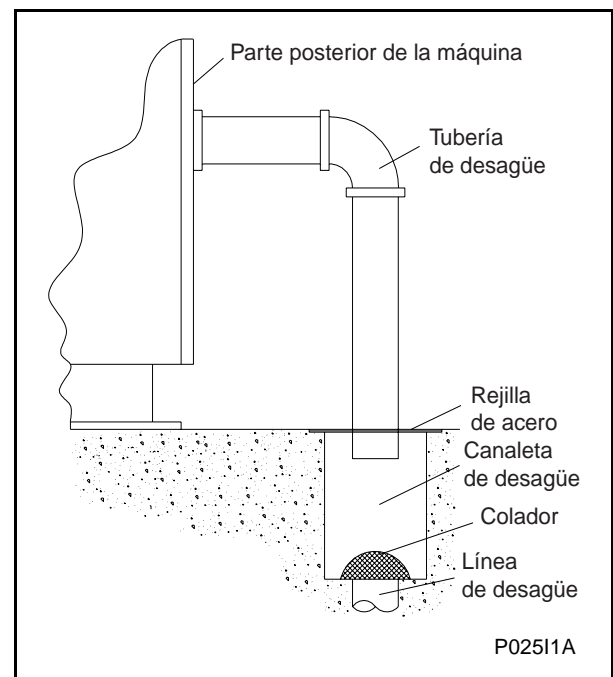


Figura 14

Vea la tabla de información de desagüe de las máquinas con gabinete incorporado en esta subsección para obtener información específica de desagüe a las distintas capacidades.

La instalación de lavadoras extractoras adicionales requiere conexiones de desagüe proporcionalmente más grandes. Consulte la tabla de tamaños de las líneas de desagüe para las lavadoras extractoras con gabinete incorporado en esta subsección.

Instalación

Conexiones de desagüe (continuación)

Información de desagüe			
	35	50	85
Tamaño de conexión del desagüe, D. I., mm (plg)	79 (3)	79 (3)	79 (3)
Número de salidas de desagüe	1	1	1
Capacidad de flujo del desagüe, l/min (gal/min)	205 (54)	205 (54)	205 (54)
Tamaño de foso para desagüe recomendado, l (pies ³)	161 (5,7)	232 (8,2)	303 (10,7)

Tamaño de línea de desagüe D. I. mínimo del desagüe, mm (plg)				
Modelo	Número de máquinas			
	1	2	3	4
35	76,2 (3)	76,2 (3)	88,9 (3-1/2)	102 (4)
50	76,2 (3)	102 (4)	152 (6)	152 (6)
85	102 (4)	152 (6)	152 (6)	203 (8)

Instalación

Conexión de agua

Información de suministro de agua			
	35	50	85
Tamaño de la conexión de entradas de agua, mm (plg)	19 (3/4)	19 (3/4)	25 (1)
Número de entradas de agua (estándar)	2	2	2
Presión recomendada Barias (PSI)	2-5,7 (30-85)	2-5,7 (30-85)	2-5,7 (30-85)
Capacidad de flujo de la entrada, l/min (gal/min)(80 PSI)	45 (12)	45 (12)	52 (25)

Se deben instalar conexiones para las líneas de agua caliente y de agua fría de por lo menos los tamaños que se indican en la tabla de tamaños de línea de suministro de agua. La instalación de máquina adicionales requiere líneas de suministro de agua proporcionalmente más grandes. Vea la tabla.

Para conectar el servicio de agua a la máquina con mangueras de goma (caucho), haga lo siguiente:

1. Antes de instalar las mangueras, deje correr el agua en el sistema de agua durante por lo menos dos minutos.
2. Revise los filtros en las mangueras de entrada de la lavadora extractora para asegurarse de que se ajustan bien y de que están limpios antes de conectar las mangueras.
3. Cuelgue las mangueras en un lazo grande; no permita que queden dobladas.

Si necesita mangueras más largas, use mangueras flexibles con filtros de malla. Cada una de las mangueras debe tener un filtro de malla instalado para evitar que la corrosión y las partículas extrañas entren a las válvulas de entrada de agua.


Una presión de agua entre 2 y 5,7 Barias (30 y 85 PSI) ofrece el mejor rendimiento. Aunque la lavadora extractora funciona correctamente a presiones menores, se tarda más en llenar.


Deben instalarse cojines de aire adecuados en las líneas de suministro para evitar el “golpeteo”. Si la presión del agua es superior a las 60 PSI, se debe utilizar tubería flexible de cobre en vez de mangueras de goma (caucho).


Tamaño de las líneas de suministro de agua			
Modelo	Número de máquinas	Tamaño de las líneas de suministro mm (plg)	
		Principal	Caliente/ Fría
35	1	25 (1)	19 (3/4)
	2	38 (1-1/2)	25 (1)
	3	50 (2)	32 (1-1/4)
	4	50 (2)	38 (1-1/2)
50	1	32 (1-1/4)	25 (1)
	2	50 (2)	32 (1-1/4)
	3	50 (2)	38 (1-1/2)
	4	64 (2-1/2)	50 (2)
85	1	38 (1-1/2)	25 (1)
	2	50 (2)	38 (1-1/2)
	3	50 (2)	64 (2-1/2)
	4	64 (2-1/2)	50 (2)

Instalación

Instalación eléctrica


	ADVERTENCIA
<p>Esta máquina debe ser instalada, ajustada y debe recibir servicio por parte de personal de mantenimiento eléctrico capacitado que esté familiarizado con la construcción y el funcionamiento de este tipo de maquinaria. También deben estar familiarizado con los peligros potenciales involucrados. Si no se cumple con esta advertencia pueden ocasionarse lesiones personales y/o daños al equipo, y puede llegarse a anular la garantía.</p>	
SW004	

	ADVERTENCIA
<p>Existen voltajes peligrosos en las cajas de control eléctrico y en las conexiones del motor. Sólo el personal capacitado que esté familiarizado con los procedimientos de pruebas eléctricas, equipo de pruebas y precauciones de seguridad debe intentar hacer ajustes y corregir averías. Desconecte la corriente eléctrica de la máquina antes de quitar la cubierta de la caja de control y antes de intentar realizar cualquier procedimiento de servicio.</p>	
SW005	


	ADVERTENCIA
<p>Asegúrese de conectar un conductor de conexión a tierra a una conexión real a tierra en la terminal ubicada cerca del bloque de conexiones de entrada en esta máquina. Si la máquina no se conecta correctamente a tierra, podrían ocasionarse lesiones personales graves por descarga eléctrica y daño a la máquina.</p>	
SW008	

El mando inversor de CA requiere un suministro limpio de corriente, libre de picos y sobrevoltajes momentáneos. Debe usarse un medidor de voltaje para revisar el suministro de corriente. La compañía de electricidad que da servicio al cliente puede proporcionarle tal medidor.

Si el voltaje de entrada es mayor de 230 Voltios para un mando de 200 Voltios, o es mayor de 440 Voltios para un mando de 400 Voltios, solicite a la compañía de electricidad que reduzca el voltaje. Como alternativa, su distribuidor cuenta con juegos de transformadores reductores. Para voltajes superiores a 250 y 490 Voltios se requieren medidas adicionales. Póngase en contacto con su distribuidor o con el fabricante para obtener ayuda.


	ADVERTENCIA
<p>Nunca toque las conexiones o los componentes del mando inversor de CA a menos de que haya desconectado la corriente eléctrica y que la luz del diodo indicador de carga (CHARGE) esté apagada. El mando inversor de CA retiene voltaje potencialmente mortal durante algún tiempo después de que se desconecta la corriente. No existen piezas a las que el usuario pueda dar servicio dentro del mando inversor de CA. Si se altera o toca indebidamente el mando se anula la garantía.</p>	
SW009	

Instalación

	PELIGRO
<p>Cuando se controla el mando inversor de CA con una unidad de parámetros, se evitan la computadora de la máquina y sus características de seguridad. Esto permitiría que la canasta girara a altas velocidades mientras la puerta estuviera abierta. Cuando use una unidad de parámetros para controlar el mando inversor de CA, debe colocar un aviso grande frente a la máquina advirtiendo a la gente del peligro inminente.</p> <p style="text-align: right;">SW003</p>	

El mando inversor de CA ofrece protección de sobrecarga para el motor de mando. Sin embargo, debe instalarse un interruptor de circuito trifásico independiente para obtener la protección completa contra las sobrecargas eléctricas. Esto evita daños al motor desconectando todos los conductores si alguno se perdiera accidentalmente. Revise la placa de datos en la parte posterior de la lavadora extractora o consulte la tabla de especificaciones eléctricas en esta subsección donde aparecen los requisitos de los interruptores de circuito.

Nota: NO use fusibles en vez de un cortacircuitos.

	PRECAUCIÓN
<p>No use un adicionador de fase en ninguna máquina de velocidad variable.</p> <p style="text-align: right;">SW037</p>	

La lavadora extractora debe conectarse a un circuito independiente sin compartir con el sistema de alumbrado ni con cualquier otro equipo.

La conexión debe estar blindada en un tubo conductor a prueba de líquidos o tubo flexible aprobado con conductores apropiados del tamaño correcto instalados de acuerdo con el Código Eléctrico Nacional (de los Estados Unidos) o con otros códigos aplicables. La conexión debe hacerla un electricista capacitado utilizando el diagrama de cableado que se entrega con la lavadora extractora o según las normas europeas aceptadas para equipo aprobado por la comunidad europea.

Use conductores de los tamaños indicados en la tabla de especificaciones eléctricas para corridas de hasta 50 pies. Use el siguiente tamaño para corridas entre 50 y 100 pies. Use 2 tamaños más grandes para corridas mayores de 100 pies.

Por su seguridad personal y para obtener un funcionamiento correcto, la lavadora extractora debe estar conectada a tierra de acuerdo con las normas estatales y locales. Si no existen tales normas, la conexión a tierra debe hacerse conforme al Código Eléctrico Nacional (de los Estados Unidos), artículo 250-95. La conexión a tierra debe hacerse a una conexión a tierra aprobada, no a algún conducto ni a tuberías de agua.

Si utiliza un sistema de suministro en delta, el conductor superior puede ser conectado a L1, L2 ó L3, en los modelos con gabinete incorporado, ya que todas las máquinas están equipadas con transformadores de control.


Instalación

Especificaciones eléctricas													
Designación de voltaje						Estándar				Calor eléctrico			
Modelo	Código	Voltaje	Ciclo	Fase	Conductor	Amperios a carga total	Cortacircuitos	AWG†	mm ²	Amperios a carga total	Cortacircuitos	AWG†	mm ²
35	M	550-575	50-60	3	3	4	15	14	3x2,5	No disponible en este voltaje.			
	M*	550-575	50-60	3	3	6	10	14	3x2,5	No disponible en este voltaje.			
	N	440-480	50-60	3	3	4	15	14	3x2,5	32	35	8	3x10
	N*	440-480	50-60	3	3	6	15	12	3x4	25	30	10	3x6
	P	380-415	50-60	3	3	4	15	14	3x2,5	32	35	8	3x10
	P*	380-415	50-60	3	3	6	15	12	3x4	22	30	10	3x6
	Q	200-240	50-60	3	3	10	15	14	3x2,5	50	50	8	3x10
	Q*	200-240	50-60	3	3	10	20	12	3x4	38	50	6	3x16
	T	200-240	50-60	1	2	13	15	14	2x2,5	No disponible en este voltaje.			
T*	200-240	50-60	1	2	19	30	10	3x6	No disponible en este voltaje.				
50	M	550-575	50-60	3	3	6	15	14	3x2,5	No disponible en este voltaje.			
	M*	550-575	50-60	3	3	10	15	14	3x2,5	No disponible en este voltaje.			
	N	440-480	50-60	3	3	4	15	14	3x2,5	43	50	8	3x10
	N*	440-480	50-60	3	3	11	20	12	3x4	38	50	6	3x16
	P	380-415	50-60	3	3	4	15	14	3x2,5	43	50	8	3x10
	P*	380-415	50-60	3	3	11	20	12	3x4	33	40	8	3x10
	Q	200-240	50-60	3	3	10	15	14	3x2,5	76	80	4	3x25
	Q*	200-240	50-60	3	3	19	30	10	3x6	56	70	4	3x25
	T	200-240	50-60	1	2	18	25	10	2x6	No disponible en este voltaje.			
T**	200-240	50-60	1	2	26	50	6	2x16	No disponible en este voltaje.				
85	M**	550-575	60	3	3	13	25	10	3x4	No disponible en este voltaje.			
	N**	440-480	50-60	3	3	13	25	10	3x4	55	60	6	3x16
	P**	380-415	50-60	3	3	13	25	10	3x4	55	60	6	3x16
	Q**	200-240	50-60	3	3	24	40	8	3x6	105	110	2	3x35

Nota: Los tamaños de los conductores que se indican son para alambre de cobre, código THHN (termoplástico resistente al calor), 90° de acuerdo al artículo 310 de NEC.
†AWG = American Wire Gauge (calibre de conductores)
*Modelos con mando de serie número 1305.
**Modelos con mando de serie número 1336.

Instalación

Requisitos de vapor (Sólo para la opción de calor por vapor)

	ADVERTENCIA
Nunca toque las tuberías internas o externas de vapor, sus conexiones o componentes. Estas superficies pueden estar sumamente calientes y causan graves quemaduras. Es necesario cerrar el suministro de vapor y dejar que se enfríen las tuberías, las conexiones y los componentes antes de poder tocar las tuberías.	
SW014	


Para máquinas equipadas con calor a vapor opcional instale tubería de acuerdo con las prácticas comerciales aprobadas para manejo de vapor. Los requisitos de vapor aparecen en la siguiente tabla.

Nota: Si no se instala el filtro de vapor que adjuntamos, se puede anular la garantía.

Información de suministro de vapor	
Conexión de suministro de vapor, mm (plg)	DN13 (1/2)
Número de entradas de vapor	1
Presión recomendada, Barías (PSI)	2,0 – 5,5 (30 – 80)
Presión máxima, Barías (PSI)	5,4 (80)

Instalación

Sistema de suministro por inyección de productos químicos

	ADVERTENCIA
<p>Use protección para los ojos y las manos cuando use productos químicos. Siempre evite el contacto directo con productos químicos. Lea las instrucciones del productor acerca de las precauciones a seguir en caso de contacto accidental, antes de usar los productos químicos. Asegúrese de que exista un lugar para enjuagarse los ojos y una ducha (regadera) de emergencia a la mano. Revise a intervalos regulares para asegurarse de que no existan fugas de productos químicos.</p>	
SW016	

El goteo de productos químicos sin diluir puede dañar la máquina. Por lo tanto, todas las bombas de suministro de productos químicos deben estar instaladas por debajo del punto de inyección a la lavadora. Toda la tubería de suministro también debe correr por debajo del punto de inyección. Los lazos no evitan el goteo si no se siguen estas instrucciones. Si no se cumple con estas instrucciones se puede dañar la máquina y anular la garantía. La Figura 15 muestra un sistema típico de inyección de productos químicos.

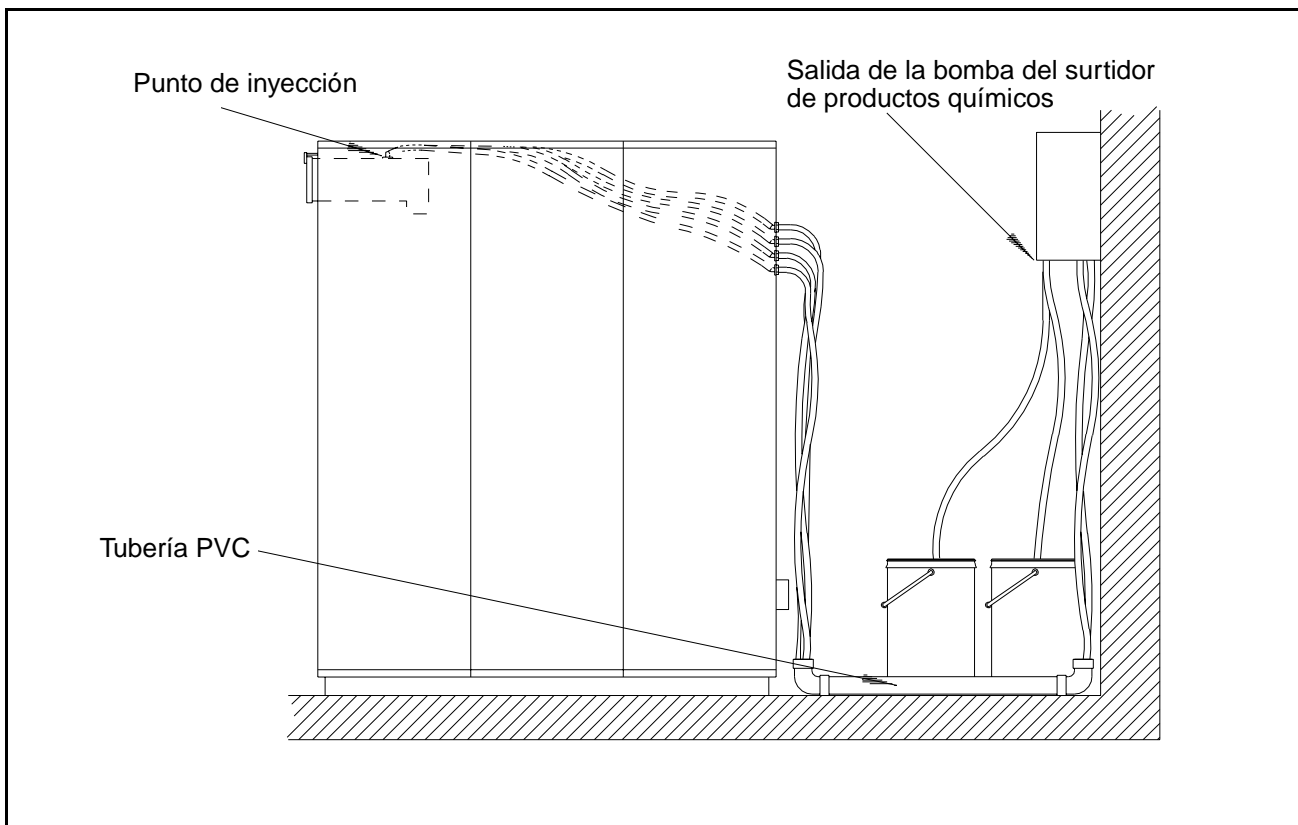


Figura 15

Instalación

Compartimientos de suministro

Los compartimientos de suministro están localizados detrás de una puerta de acceso ubicada por el lado superior izquierdo del frente de la máquina. La puerta puede abrirse girando el cerrojo de la puerta como se muestra en la Figura 16.

Los compartimientos de suministro están numerados, de derecha a izquierda, del 1 al 5, vistos desde el frente de la máquina.

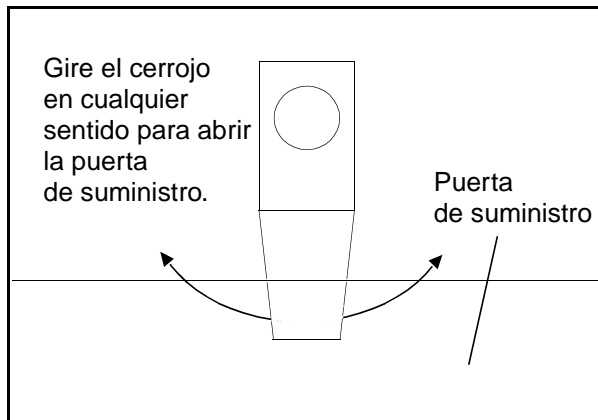


Figura 16

Conexión de los suministros externos

Los conectores de mangueras están localizados en la parte trasera derecha de la máquina. Las conexiones están numeradas como se muestra en la Figura 17.

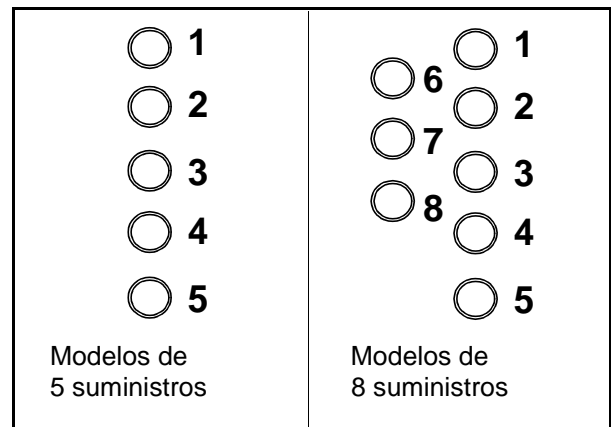


Figura 17

Para conectar los suministros externos siga los procedimientos siguientes:

1. Conecte los tubos a las entradas de suministro empujando cada uno de los tubos sobre la toma de entrada. Los tubos deberán acoplarse y quedar ajustados en las entradas de suministro. Una vez asentados completamente, los extremos de los tubos deberán hacer contacto con la parte posterior de la máquina.
2. La firmeza del ajuste indicará si es o no necesario utilizar abrazaderas para mangueras. En caso de necesitarse, deberán utilizarse abrazaderas N° 8.

Conexiones eléctricas de los sistemas de suministro por inyección de productos químicos


Una caja de acero inoxidable en la parte derecha posterior del módulo de control contiene una tira de conexiones que proporciona las señales de salida de suministro para las bombas de inyección de suministro de productos químicos. Vea la Figura 18 donde aparecen ejemplos de calcomanías.

Instalación

Las conexiones **SUPPLY 1** (SUMINISTRO 1) a **SUPPLY 8** (SUMINISTRO 8) tienen 100 a 120 VCA con fusibles a 500 mA. Estas conexiones pueden utilizarse para enviar señales al sistema de inyección de productos químicos pero no pueden utilizarse para enviar corriente eléctrica a la bomba. No intente aumentar la capacidad de los fusibles, ya que esto podría dañar los circuitos de la lavadora extractora.

Un sistema externo de inyección de productos químicos que requiere de 200 a 240 VCA puede obtener corriente a partir de las líneas **LINE 1** y **LINE 2** en la tira de conexiones de suministro externo en los modelos PVQ y PVT. Cualquier sistema de inyección de productos químicos usado con los modelos PVM, PVN y PVP debe recibir corriente de una fuente independiente de corriente eléctrica externa.

Cualquier bomba del sistema de inyección que requiera 110 VCA debe recibir corriente de una fuente independiente de corriente eléctrica externa.

	PRECAUCIÓN
<p>Intentar obtener 110 VCA utilizando L1 ó L2 con la línea común puede ocasionar daños a los circuitos de la máquina y/o al sistema de inyección de productos químicos. Al utilizar un cable de corriente de 240 VCA en la lavadora extractora y una conexión a tierra para obtener 110 VCA puede ocasionar problemas con el microprocesador.</p>	
SW028	

Consulte las instrucciones del sistema de suministro por inyección de productos químicos para obtener detalles de operación.

WARNING

COMMON TO L1 OR L2
120VAC / 220VAC

COMMON TO SUPPLY 1
THROUGH SUPPLY 5
120VAC - 220VAC
5 AMP MAX

○

L1-L2 **L1**
220VAC
FUSED 3A **L2**

COMMON
SUPPLY 1
SUPPLY 2
SUPPLY 3
SUPPLY 4
SUPPLY 5

○

PIN 23074

Todos los modelos con 5 suministros

CAUTION

EXTERNAL SUPPLY CONNECTIONS

COMMON IS NOT A TRUE NEUTRAL
DO NOT USE WITH LINE 1 OR LINE 2

PIN 23055.5

COMMON TO SUPPLY 1 THRU
SUPPLY 6 YIELDS 240VAC

ALL SUPPLY OUTPUTS MAY
NOT BE OPERABLE

○

SUPPLY 1
SUPPLY 2
SUPPLY 3
SUPPLY 4
SUPPLY 6
SUPPLY
SUPPLY 7
SUPPLY

5-Phase Bus

○

PIN 23055.4

Modelos PVM, PVN y PVP con 8 suministros

CAUTION

EXTERNAL SUPPLY CONNECTIONS

LINE 1 TO LINE 2 YIELDS 240VAC
FUSED 3A, 10A FUSE MAX

COMMON IS NOT A TRUE NEUTRAL
DO NOT USE WITH LINE 1 OR LINE 2

PIN 23055.4

EXTERNAL SUPPLY CONNECTIONS

COMMON TO SUPPLY 1 THRU SUPPLY 8 YIELDS 240VAC
5 AMP MAX

○

5-Phase Bus

PIN 23055.4


Modelos PVQ y PVT con 8 suministros

Figura 18

Instalación

Módulo Premium de limpieza húmeda

Nota: El motor de la bomba está precableado para una entrada de 200 a 240 Voltios. El motor debe ser recableado para una entrada de 380 Voltios o más. Para volver a cablear el motor consulte la caja de conexiones del motor de la bomba y el paso 6 del siguiente procedimiento.

	ADVERTENCIA
Coloque candados en el panel de corriente principal y en la fuente de corriente eléctrica a la caja de control antes de intentar realizar cualquiera de los procedimientos de servicio.	
SW007	

Nota: Deberá eliminarse toda la corriente eléctrica a la lavadora extractora antes de poder llevar a cabo las instrucciones de instalación del módulo Premium de limpieza húmeda.

Lea con cuidado las siguientes instrucciones antes de seguir adelante. El instalador debe comprender completamente las instrucciones antes de intentar instalar el módulo Premium de limpieza húmeda.

La instalación se realiza desde la **parte posterior** de la lavadora extractora.

1. Para desmontar los paneles:

- a. Desmonte la cubierta superior de la lavadora extractora.
- b. Quite el panel posterior y el panel frontal lateral derecho de la lavadora extractora.

2. Para ensamblar el desagüe de la derecha para recircular el agua:

- a. Saque la placa de la cubierta de desagüe ubicada en la parte trasera lateral derecha de la lavadora extractora. Vea la Figura 19.
- b. Quite el tapón del sumidero de la salida de desagüe de recirculación. Vea la Figura 20.

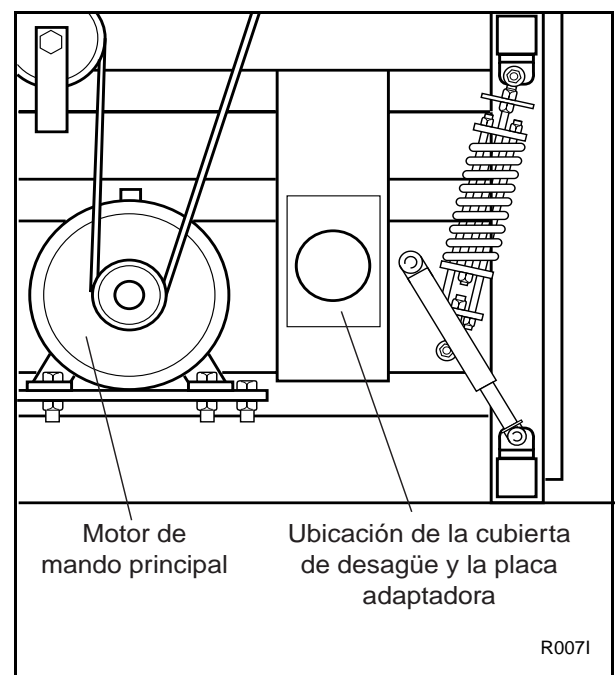


Figura 19

- c. Instale la placa adaptadora de desagüe incluida con el juego en lugar de la placa de cubierta de desagüe. Vea la Figura 19.
- d. Instale la manguera interior de desagüe y la manguera flexible de desagüe como se muestra en la Figura 20.

Instalación

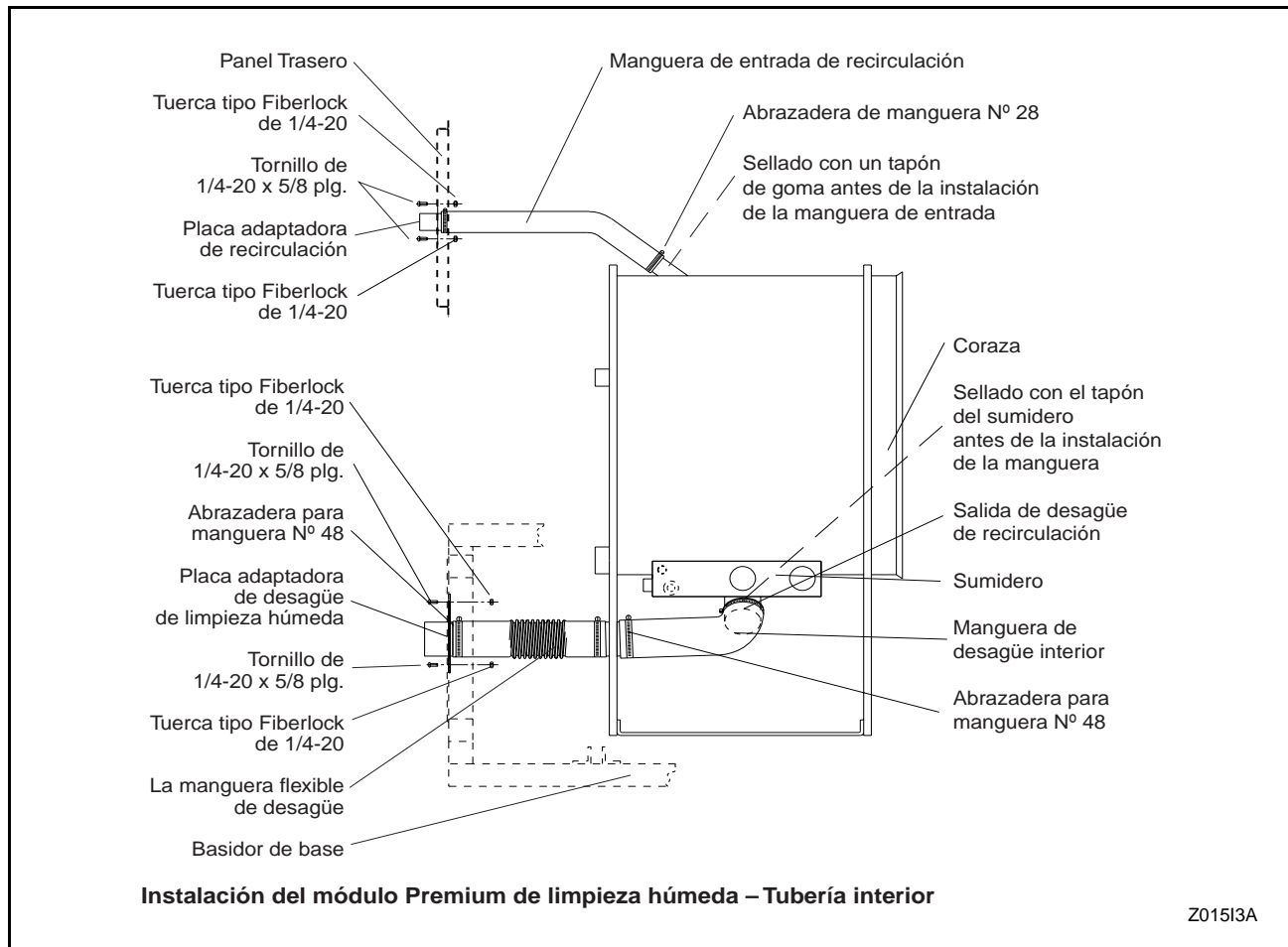


Figura 20

3. Para colocar el conjunto del recipiente, el filtro y la bomba:

- Coloque el conjunto del recipiente, el filtro y la bomba (incluido en el juego) detrás de la lavadora extractora. Conecte la entrada del recipiente y el filtro con la manguera flexible.
- Coloque en su posición el conjunto del recipiente, el filtro y la bomba de modo que la manguera flexible quede doblada pero sin tensión.

4. Para cablear la válvula de desagüe en el conjunto de recipiente, filtro y bomba (consulte el dibujo No. 633583 que se incluye con el juego):

- Saque la cubierta del motor de la válvula de desagüe de la lavadora extractora.
- Extienda el cable de 2 conductores ya instalado en la válvula de desagüe del conjunto del recipiente, filtro y bomba hasta la válvula de desagüe del lado izquierdo de la lavadora extractora.
- Empalme el cable de 2 conductores con los cables del motor de la válvula de desagüe del lado izquierdo, usando las conexiones de dos lengüetas que se incluyen con el juego.

Nota: El cable tiene un conductor rojo y uno negro. Los conductores de la válvula de desagüe de la lavadora extractora son rojos para el neutral o común (ACN) y negros para el vivo (ACH). Empalme ambos conductores rojos en un terminal azul y conecte al terminal común de la válvula de desagüe de la lavadora extractora. Empalme ambos conductores negros en un terminal azul y conecte al terminal de 50 Hz o de 60 Hz de la válvula de desagüe de la lavadora extractora. Verifique que los terminales de la válvula de desagüe coinciden con la frecuencia de la alimentación de entrada (50 Hz o 60 Hz).

5. Montaje de los componentes eléctricos en el módulo de control posterior para los modelos de 35 y 50 libras:

- Saque los tornillos y desmonte la cubierta del módulo de control posterior. En los modelos más recientes, la cubierta se desmonta utilizando una llave que viene con la máquina.
- En los modelos de 35 y 50 libras, acople el cortacircuitos y el contactor de la bomba (incluidos en el juego de piezas) al riel de montaje localizado justamente debajo del transformador de control, en el lado derecho de la unidad de mando de CA, como se muestra en la Figura 21. En los modelos de 85 libras, acople el cortacircuitos y el contactor de la bomba (incluidos en el juego de piezas) al riel de montaje localizado en el lado izquierdo de la unidad de mando de CA.

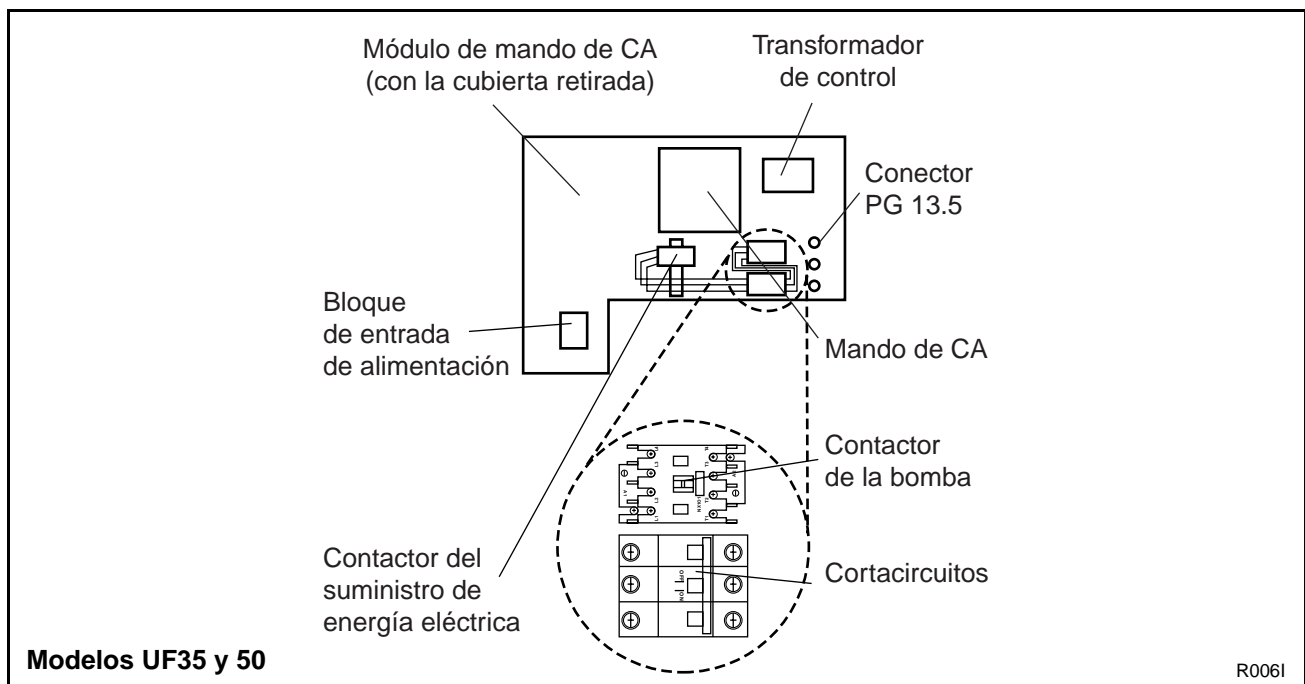


Figura 21

Instalación

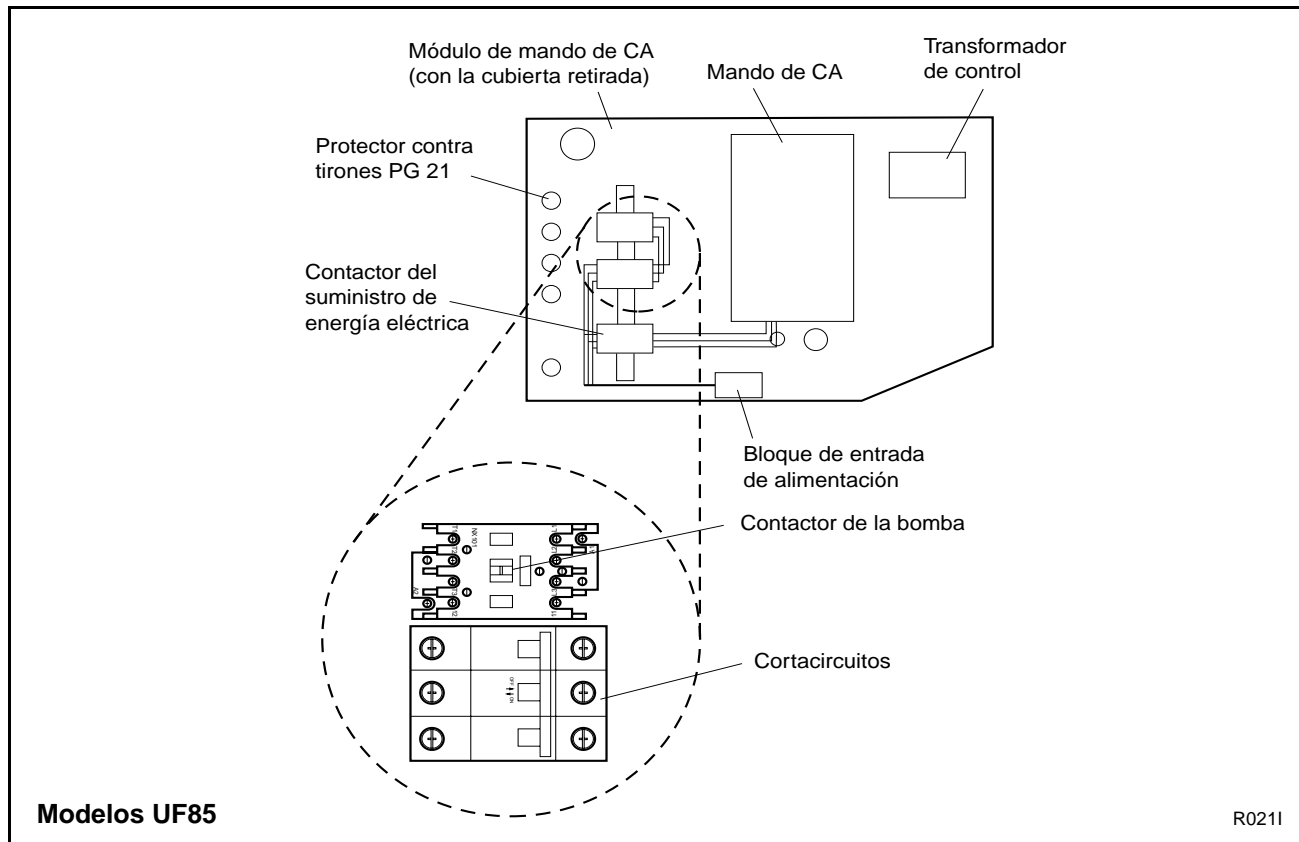


Figura 22

6. Para cablear los componentes eléctricos en el módulo de control (vea el dibujo No. 633583 que se incluyen con el juego):

- a. *En los modelos de 35 y 50 libras,* desconecte los dos enchufes superiores del grupo de tres enchufes negros ubicados en el lado derecho del módulo de control posterior. Estos enchufes están ubicados a la derecha del cortacircuitos y el contactor de la bomba, como se muestra en la Figura 21. *En los modelos de 85 libras,* retire el segundo enchufe de la parte superior localizado a la izquierda del cortacircuitos y el contactor de la bomba, como se muestra en la Figura 22.
- b. *En los modelos de 35 y 50 libras,* instale dos protectores contra tirones PG 13.5 que impiden el paso del agua, incluidos en el juego de piezas, en lugar de los dos enchufes superiores. Vea la Figura 23. *En los modelos de 85 libras,* instale el protector contra tirones PG 21, en lugar del segundo enchufe superior. Vea la Figura 24.

Instalación

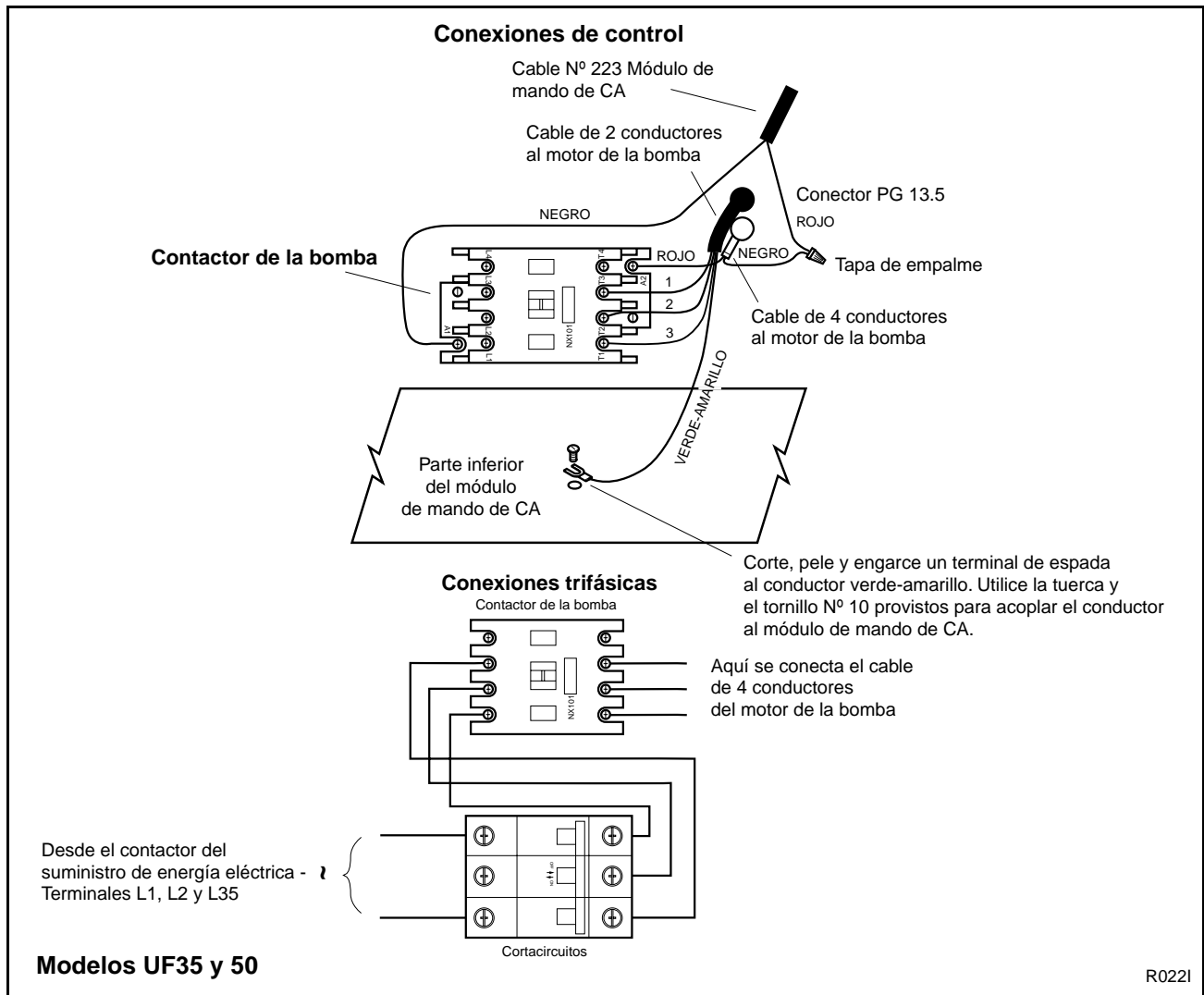


Figura 23

Instalación

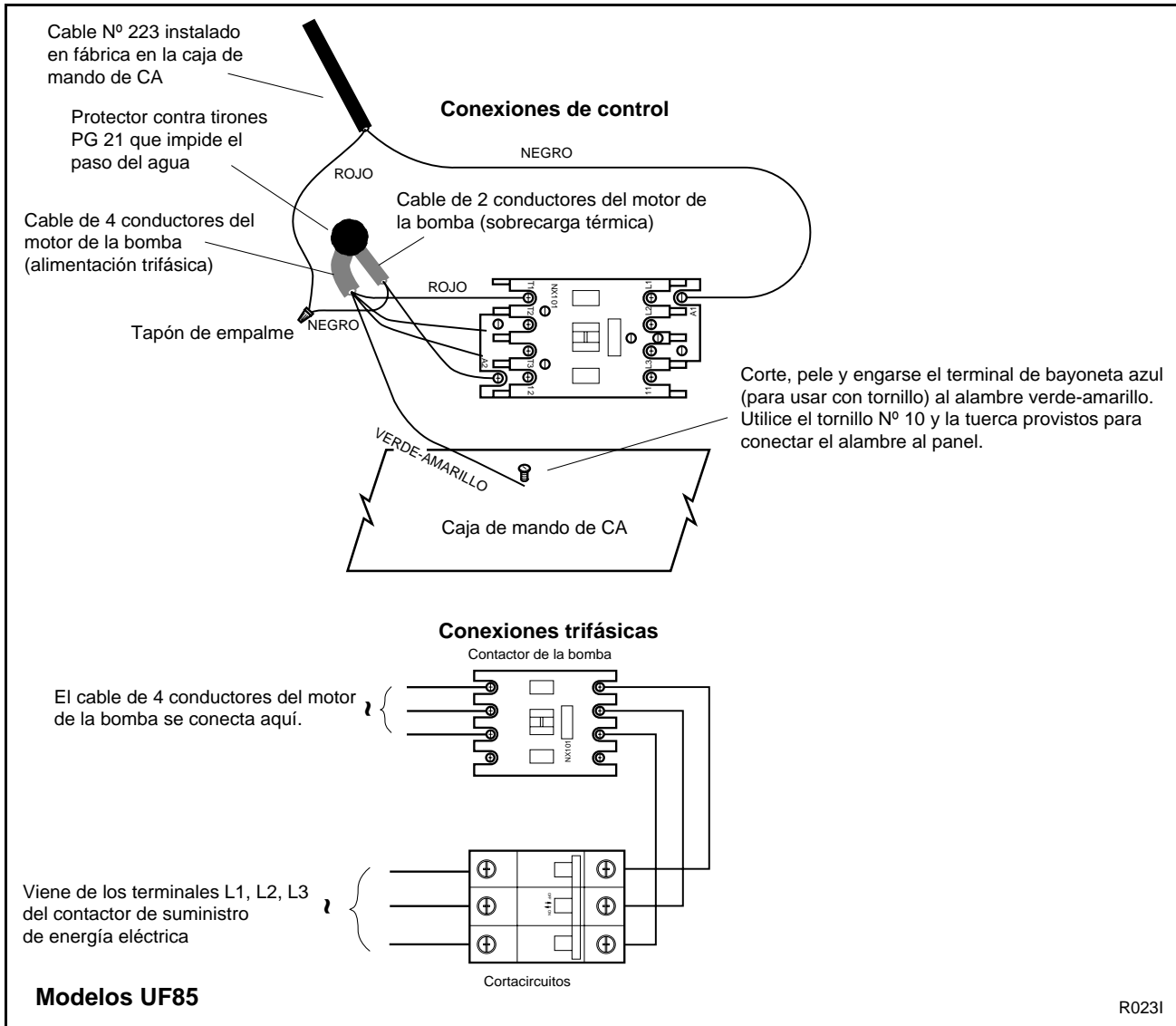


Figura 24

Instalación

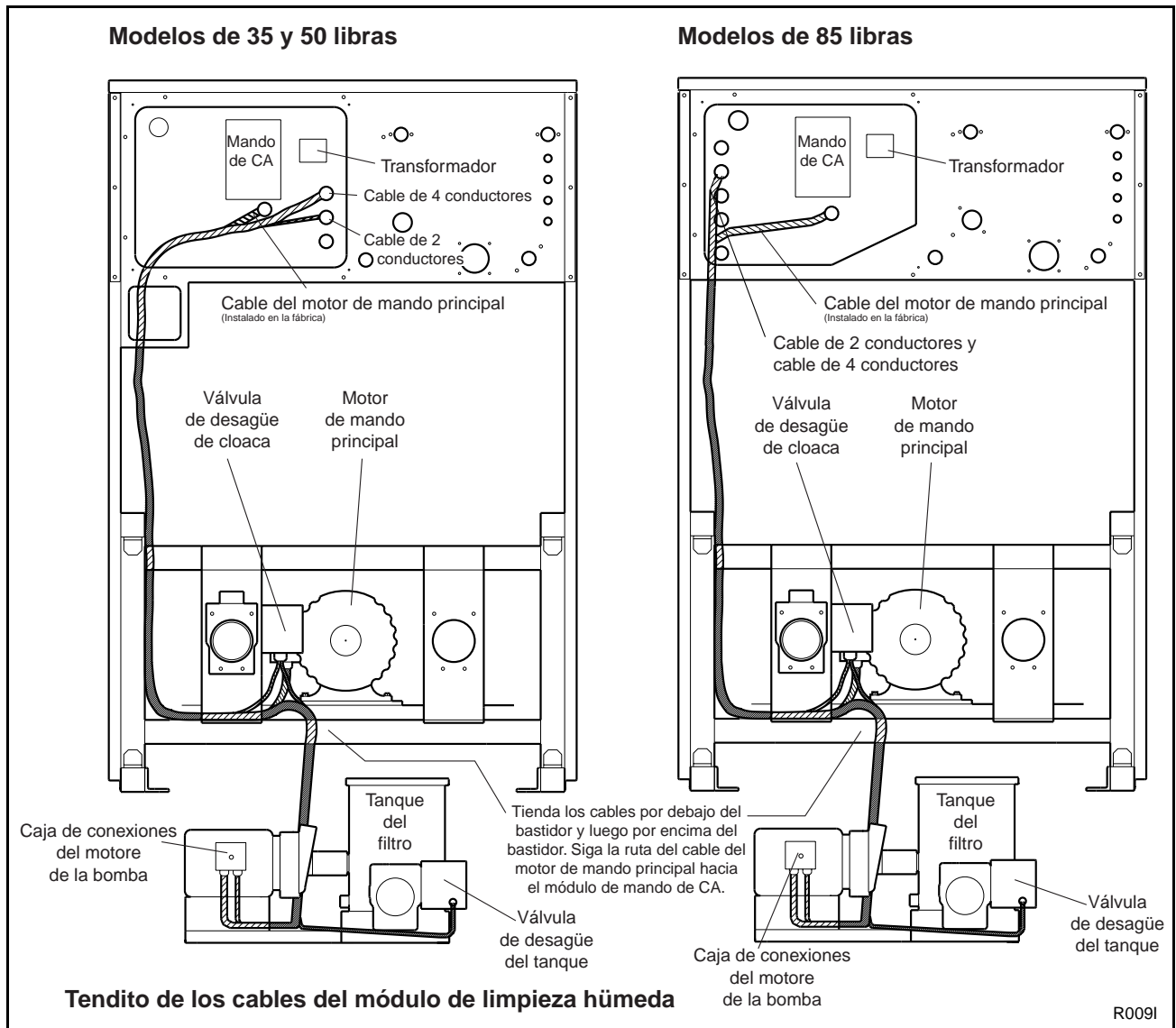


Figura 25

- c. Encamine los cables de 2 y de 4 conductores a lo largo del marco de la lavadora extractora, siguiendo el mismo trayecto que el cable del motor de mando principal. Deje una separación suficiente entre los cables y cualquier pieza móvil de la lavadora extractora. Vea la Figura 25.

Nota: Encamine los cables por debajo del marco, como se muestra en la Figura 25.

Instalación

Nota: Asegúrese de que los cables estén tendidos debidamente y alejados de peligros potenciales. Use atadores de cables, que se incluyen con el juego, para asegurar el cableado. Deje algo de juego para mover el conjunto de recipiente, filtro y bomba una vez que se hayan hecho las conexiones eléctricas.

- d. *En los modelos de 35 y 50 libras,* encamine los cables de 2 y de 4 conductores a través de los dos protectores contra tirones PG 13.5 instalados en el paso b. Vea la Figura 23. *En los modelos de 85 libras,* encamine los cables de 2 y de 4 conductores a través del protector contra tirones PG 21 como se ilustra en la Figura 24.
-

Nota: Cerciórese de que los protectores contra tirones estén firmemente asegurados alrededor del cable.

- e. Conecte el alambre rojo del cable de 2 conductores proveniente del conjunto de recipiente, filtro y bomba, al terminal A2 del contactor de la bomba. Vea la Figura 23.
- f. Extienda el cable de 2 conductores n° 223 que está cubierto en el módulo de control posterior. Conecte el alambre rojo n° 223 al alambre negro del cable de 2 conductores (proveniente del conjunto del recipiente, filtro y bomba).
- g. Conecte el alambre negro del cable n° 223 al terminal A1 del contactor de la bomba.
- h. Conecte los terminales L1, L2 y L3 del cortacircuitos al lado de entrada del contactor de suministro de energía

eléctrica utilizando el alambre gris calibre 18 que se incluye en el juego de piezas.

- i. Conecte los alambres del cable de 4 terminales como sigue: alambre n° 1 al terminal T1; alambre n° 2 al terminal T2; y alambre n° 3 al terminal T3. El alambre n° 4 (verde-amarillo) deberá conectarse a la tierra del chasis.
-

Nota: Si durante la prueba de funcionamiento de los controles se determina que la rotación del motor de la bomba no es la correcta, intercambie cualquier par de terminales (T1-T2, T1-T3 o T2-T3) del contactor de la bomba. La dirección correcta de rotación del motor se indica en la Figura 26.

7. Para verificar las conexiones eléctricas:

- a. Asegure mediante atadores los cables flojos o colgantes.
- b. Verifique que todas las conexiones están **debidamente encaminadas y aseguradas**.

8. Para volver a armar los paneles de la máquina:

- a. Vuelva a armar el panel posterior y el panel frontal derecho.
- b. Vuelva a instalar la cubierta del módulo de control trasero.

9. Para instalar la tubería de recirculación de agua:

- a. Saque la tapa de la entrada de recirculación ubicada en la parte superior de la coraza. Vea la Figura 20.
- b. Acople el conector de manguera negro de 1-1/2 plg (sin ranuras para abrazadera), incluidos en el juego, entre la entrada de recirculación de la coraza y la placa adaptadora.

Instalación

- c. Acople el tubo de recirculación al conector de manguera en la placa adaptadora de recirculación ubicada en la parte trasera de la lavadora extractora. Vea la Figura 26.
- d. Apriete las abrazaderas del conector de manguera ubicadas en la placa adaptadora de recirculación de la coraza. Cerciórese de que el tubo de recirculación superior está apretado y firmemente asegurado.

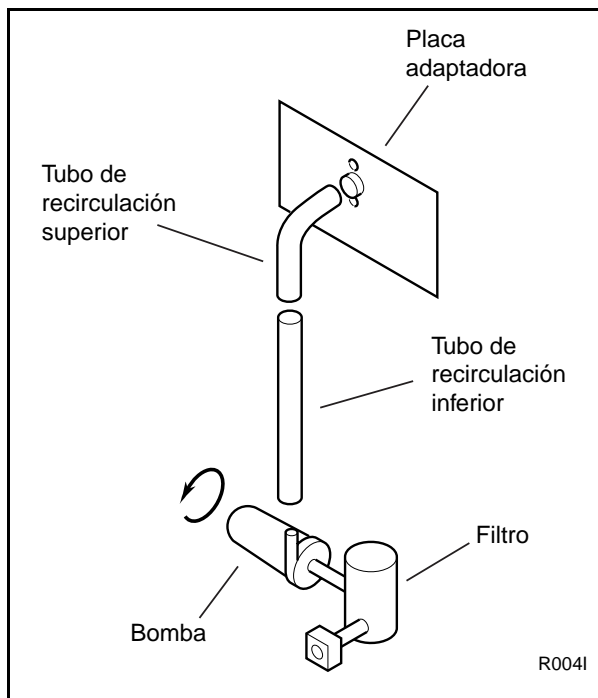


Figura 26

- e. Alinee el tubo de recirculación inferior al tubo de recirculación superior y la salida de la bomba. Cerciórese de que la plataforma de recirculación de agua puede colocarse en una posición tal que la manguera flexible del desagüe izquierdo hacia el recipiente y el filtro se dobla sin tensión excesiva.

Si la manguera flexible parece comprimida o con una tensión excesiva, voltee el tubo de recirculación inferior hacia el otro lado y reajuste la posición de la plataforma de recirculación hasta que la manguera flexible quede doblada sin tensión excesiva.

- f. Deslice el conector negro de 1-1/2 plg (con ranuras para abrazadera), incluido en el juego, en el lado del tubo de recirculación inferior que va al tubo de recirculación superior.
- g. Arme el otro conector de 1-1/2 plg (con ranuras para abrazadera), incluido en el juego, en la salida de la bomba.
- h. Coloque en posición el tubo de recirculación inferior, entre el tubo de recirculación superior y la salida de la bomba. Verifique la alineación. Asegure el tubo de recirculación inferior a la salida de la bomba apretando las abrazaderas del conector negro de 1-1/2 plg.
- i. Deslice el otro conector de 1-1/2 plg entre los tubos de recirculación superior e inferior. Apriete las abrazaderas del conector.
- j. Verifique que todas las conexiones de tubo estén apretadas y firmemente aseguradas.

Compruebe el funcionamiento mediante la prueba de funcionamiento de los controles que se describe en la siguiente sección del manual.

Instalación

Prueba de función de control

La lavadora extractora debe ser limpiada una vez que se haya terminado de realizar la instalación. Una prueba de función debe ser llevada a cabo entonces en la máquina sin ropa:

1. Compruebe que el voltaje y las fases coinciden con las especificaciones de la lavadora extractora. Si está instalado el Módulo Premium de limpieza húmeda será necesario suministrar alimentación trifásica.
2. Abra las válvulas de cierre manual a la lavadora extractora.
3. Oprima el botón de paro de emergencia.
4. Conecte la corriente eléctrica a la lavadora extractora.
5. Libere el botón de paro de emergencia.
6. Revise el funcionamiento del enclavamiento de la puerta antes de comenzar a usar la máquina:

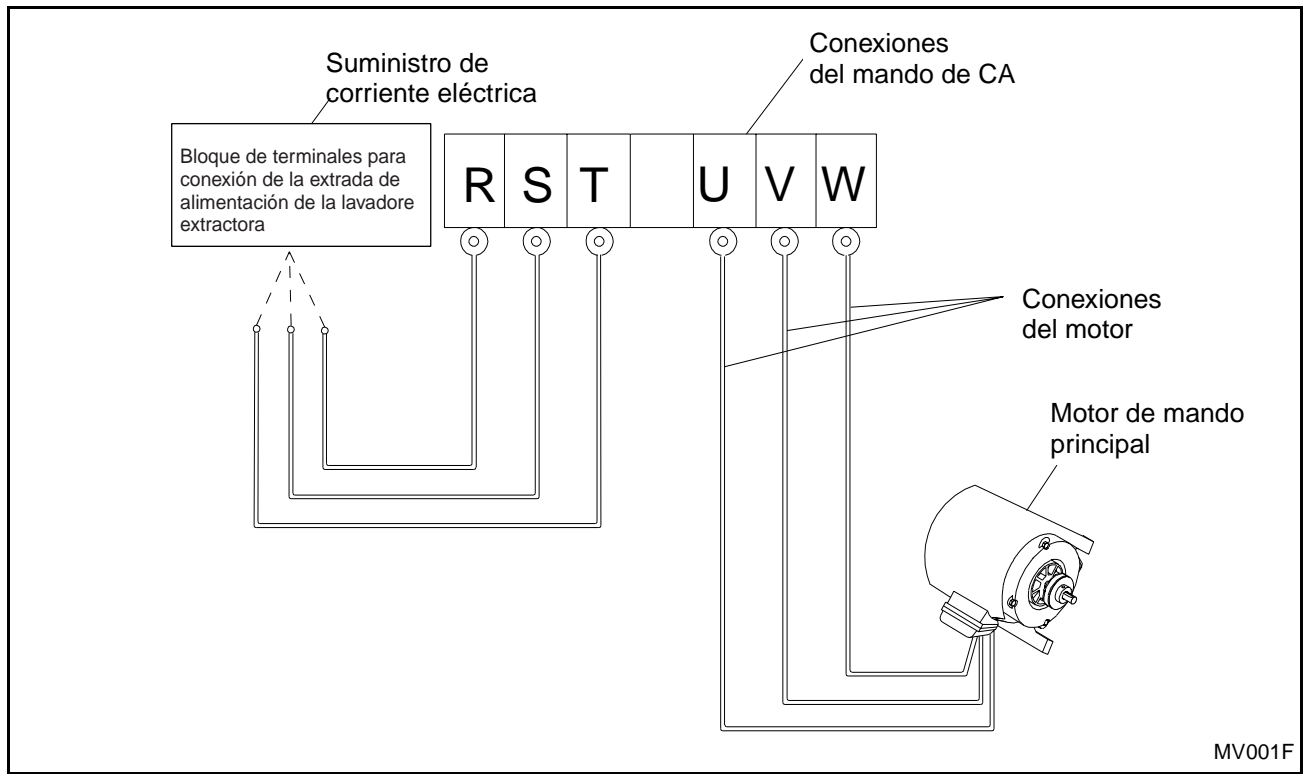
- a. Intente arrancar la lavadora con la puerta abierta. No debe poder arrancarla con la puerta abierta.
- b. Cierre la puerta sin el seguro e intente arrancar la máquina. No debe poder arrancarla mientras la puerta no esté cerrada con el seguro.
- c. Cierre y ponga el seguro a la puerta y comience un ciclo. Trate de abrir la puerta mientras se está realizando un ciclo. La puerta no debe poder abrirse.

Si el seguro de la puerta o el sistema de enclavamiento no funcionan correctamente, llame a un técnico de servicio.

7. Para un proceso normal, seleccione el ciclo 01 oprimiendo la tecla del **0** y la tecla del **1** en el teclado. Luego oprima la tecla de **Start (Arrancar)**.

Deje que la máquina funcione durante un ciclo completo, revisando las funciones de las válvulas de entrada de agua, desagüe y extracción.

Instalación



MV001F

Figura 27

- La rotación del cilindro debe ser en el sentido de las agujas del reloj en el paso de extracción para los modelos de 35, 50 y 85 libras de capacidad. Para los modelos de 135 y 250 libras de capacidad, la rotación deberá ser en sentido contrario al de las agujas del reloj en el paso de extracción. Si la rotación no fuera la indicada, desconecte la corriente eléctrica. Un electricista capacitado debe invertir dos conexiones cualquiera entre el mando de CA y el motor de mando principal. Vea la Figura 27.

Si la lavadora extractora tiene el módulo Premium de limpieza húmeda, continúe con la prueba de funciones de control siguiendo este procedimiento.

Instalación

Proceso de limpieza húmeda

Para llevar a cabo un proceso de limpieza húmeda, programe el ciclo de prueba normal para verificar el funcionamiento apropiado del sistema de limpieza húmeda. (Consulte el manual de programación y operación de las máquinas con gabinete incorporado).

Realice un ciclo de prueba y verifique que el sistema de limpieza húmeda esté funcionando correctamente:


- Revise que no haya fugas en las conexiones.
- Verifique que la bomba del módulo Premium de limpieza húmeda esté funcionando correctamente y que la rotación sea en sentido contrario al de las agujas del reloj. Si el sentido de rotación es incorrecto, un electricista capacitado debe invertir dos conexiones cualquiera. Vea el paso 6i de la sección de instalación del Módulo Premium de limpieza húmeda.
- Verifique que la válvula de desagüe del módulo Premium de limpieza húmeda se abra y cierre correctamente.
- Verifique que la tapa del recipiente no tenga fugas.


Si se llegaran a presentar problemas durante la prueba de función de control detenga el funcionamiento de la lavadora extractora y vuelva a la sección de instalación del módulo Premium de limpieza húmeda para revisar que se haya realizado la instalación correcta de los componentes y del cableado.

Sección 3

Mantenimiento

El mantenimiento de rutina permite mantener la máxima eficiencia de funcionamiento del equipo y mantener a un mínimo los tiempos muertos. Los procedimientos de mantenimiento descritos a continuación prolongan la vida de la máquina y ayudan a evitar accidentes.

	ADVERTENCIA
La cubierta de la caja del mando de CA y el filtro del ventilador deberán estar en su lugar para que el ventilador pueda enfriar adecuadamente dicho mando inversor. El no observar esta advertencia anulará la garantía y podría acarrear una costosa reparación del mando inversor de CA.	
SW038	

	PRECAUCIÓN
Vuelva a colocar los paneles que quite para realizar los procedimientos de servicio y mantenimiento. No use la máquina si le faltan protectores de seguridad, si le faltan piezas o si algunas piezas están averiadas. No evite ningún dispositivo de seguridad.	
SW019	

Al final de esta sección hay unas listas de revisión diaria, semanal, mensual y trimestral. Mande laminar estas listas de revisión para protegerlas y poder hacer copias. Los operadores y los técnicos deben incluir más revisiones adecuadas a su propia lavadora extractora. Donde ha sido posible, dejamos

espacio libre en las listas de revisiones con ese propósito.

Los siguientes procedimientos de mantenimiento deben llevarse a cabo regularmente a los intervalos requeridos.

Diariamente

Al comienzo del día

1. Revise que no haya fugas en las conexiones de las mangueras a la válvula de entrada de agua en la parte de atrás de la lavadora extractora.
2. Revise que no haya fugas en las conexiones de la manguera de vapor (cuando corresponda).
3. Verifique que el aislante esté intacto en todos los cables externos y que todas las conexiones estén fijadas. Si puede ver cable sin recubrir, llame a un técnico de servicio.
4. Revise el sistema de enclavamiento antes de usar la máquina:
 - a. Intente arrancar la lavadora con la puerta abierta. No debe poder arrancarla con la puerta abierta.
 - b. Cierre la puerta sin el seguro e intente arrancar la máquina. No debe poder arrancarla mientras la puerta no esté cerrada con seguro.

Mantenimiento

Diariamente (continuación)

- c. Cierre y ponga el seguro a la puerta y comience un ciclo. Trate de abrir la puerta mientras se esté realizando un ciclo. La puerta no debe poder abrirse.

Si el seguro de la puerta o el sistema de enclavamiento no funcionan correctamente, llame a un técnico de servicio.

Al final del día

1. Limpie el o los filtros de la caja del mando inversor de CA:
 - a. Retire la cubierta externa de plástico que contiene el filtro. La máquina de 85 libras de capacidad tiene dos filtros.
 - b. Saque el filtro de espuma de la cubierta.
 - c. Lave el filtro en agua tibia y déjelo secar al aire libre. También puede limpiarlo con una aspiradora.
2. Limpie el filtro del ventilador de enfriamiento del motor:
 - a. Retire la cubierta externa de plástico que contiene el filtro. Saque el filtro de espuma de la cubierta.
 - b. Lave el filtro con una solución jabonosa o límpielo con una aspiradora.
3. Limpie el empaque de la puerta para quitar todos los residuos de detergente y de partículas extrañas.
4. Limpie el surtidor automático de suministros y la tapa por dentro y por fuera con un detergente ligero. Enjuague con agua limpia.
5. Limpie la parte de arriba y delantera de la lavadora extractora y los paneles laterales con un detergente ligero. Enjuague con agua limpia.
6. Deje abierta la puerta de carga de ropa al final de cada día de trabajo para dejar que se evapore la humedad.

Nota: Saque la ropa de la máquina tan pronto como sea posible después de que termine cada ciclo de lavado para evitar que se acumule humedad. Deje la puerta abierta después de cada ciclo de lavado para que se evapore la humedad.

Semanalmente

1. Revise que no haya fugas en la máquina.
 - a. Inicie un ciclo sin carga para llenar la máquina.
 - b. Verifique que la puerta y que el empaque de la puerta no tengan fugas.
 - c. Verifique que la válvula de desagüe esté funcionando. Si no se fuga agua durante el segmento de prelavado, significa que la válvula de desagüe está cerrada y que funciona correctamente.

Mantenimiento

Mensualmente

Nota: Desconecte la corriente eléctrica a la máquina en su fuente antes de realizar los procedimientos de mantenimiento mensual.

1. Una vez al mes **o** después de cada 200 horas de uso, lubrique los rodamientos y sellos. (La calcomanía de lubricación de rodamientos está detrás de la unidad de suministro externo, en la parte superior derecha de la máquina).
 - a. Utilice grasa de alta calidad de grado 2 con base de litio. Nunca mezcle dos tipos diferentes de grasa, como por ejemplo, petróleo y silicona.
 - b. Bombee lentamente la pistola de aplicación de grasa, dando sólo la cantidad de aplicaciones siguiente:
 - Grasea de rodamiento: dos aplicaciones
 - Grasea de sello: una aplicaciónNo bombee la pistola de aplicación de grasa hasta que salga grasa de la caja del rodamiento, ya que podría ocasionar una sobrelubricación y dañar los rodamientos y los sellos.
2. Limpie las aletas del mando de CA:
 - a. Quite la cubierta de la caja del mando de CA.
 - b. Limpie las aletas con aire comprimido a una presión entre 60 y 90 PSI o usando aire comprimido enlatado. Tenga cuidado y evite dañar el ventilador de enfriamiento u otros componentes.

Nota: No se debe dejar acumular ninguna cantidad visible de partículas extrañas en las aletas ni en el protector de dedos.

3. Realice los siguientes procedimientos para determinar si las correas en V deben ser cambiadas o si necesitan ajustes. Llame a un técnico de servicio en cualquiera de estos casos.
 - a. Revise si las correas en V se han desgastado en forma desigual y si tienen orillas deshilachadas.
 - b. Después de desconectar la corriente eléctrica a la máquina y de desmontar todos los paneles necesarios para tener acceso a la correa de transmisión, use alguno de los siguientes métodos para verificar que las correas en V tengan la tensión adecuada.

Vea la Figura 28. La deflexión de la correa debe medirse lo más cerca posible del centro de la longitud libre entre poleas. Debe aplicarse una fuerza determinada en el centro de la longitud libre entre poleas, según se especifica en la tabla siguiente. La tensión de la correa se ajusta girando el tornillo de fijación de la polea loca. Al girar el tornillo en el sentido de las agujas del reloj se aprieta la correa, y viceversa.

Mantenimiento

Mensualmente (continuación)

Capacidad de la máquina (lb)	Deflexión (plg)	Fuerza aplicada (lb)
35	0,39	5,6
50	0,43	5,6
85	0,77	11,3

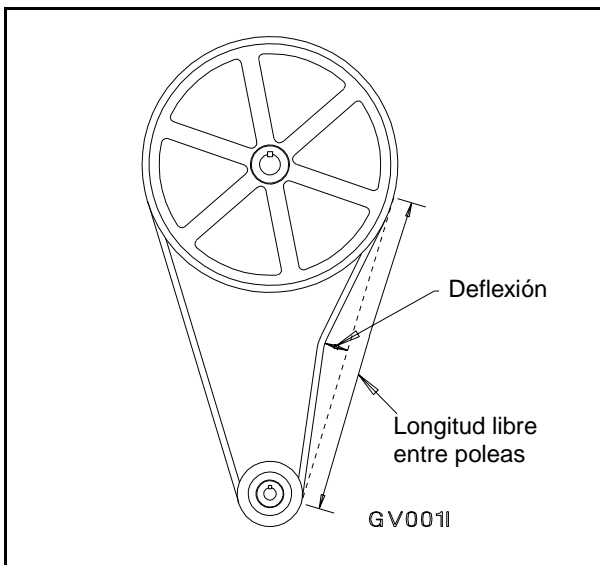


Figure 28

- c. Verifique que las correas en V estén alineadas correctamente revisando la alineación de la polea. Coloque una regla a través de las caras de ambas poleas. La regla debe hacer contacto con las poleas en cuatro puntos. Vea la Figura 29.
4. Desmonte el panel posterior y revise si la manguera de derrame y la manguera de desagüe tienen fugas.

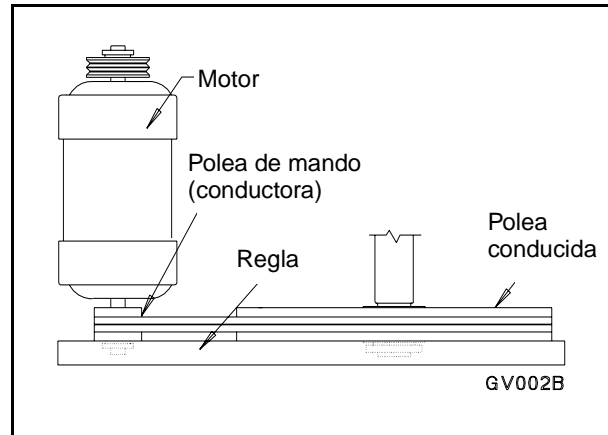


Figure 29

5. Limpie la malla de filtro de la manguera de entrada:
 - a. Cierre el agua y, si fuera necesario, deje que se enfríe la válvula.
 - b. Destornille las mangueras de entrada y saque las mallas de filtro.
 - c. Límpielas con agua jabonosa y vuélvalas a instalar. Cámbielas si están dañadas o desgastadas.
6. Abra la puerta abisagrada y revise las mangueras del surtidor de suministro y las conexiones de mangueras.
7. Apriete las contratuercas de los pernos de montaje del motor y las contratuercas de los pernos de los rodamientos, si fuera necesario.
8. Use aire comprimido para quitar la pelusa acumulada en el motor.
9. Limpie el interior de la máquina, tanto la canasta como la coraza, utilizando una esponja o un trapo humedecido en agua.
10. Use aire comprimido para asegurarse de que ninguno de los componentes eléctricos tenga humedad y polvo.

Mantenimiento

Trimestralmente

Nota: Desconecte la corriente eléctrica a la máquina antes de realizar los procedimientos de mantenimiento trimestral.

1. Apriete las bisagras y los seguros de la puerta, si fuera necesario.
2. Apriete los pernos de anclaje, si fuera necesario.
3. Revise si hay metal a la vista en las superficies pintadas. (El fabricante tiene disponible pintura gris igual a la original).
 - Si puede ver el metal, pinte con una base o con pintura con base de solvente.
 - Si aparece oxidación, quítela con lija o con algún método químico. Luego pinte con una base o con pintura con base de solvente.
4. Limpie el filtro de vapor (donde corresponda).
 - a. Cierre el suministro de vapor y deje que se enfríe la válvula.
 - b. Desenrosque la tuerca.
 - c. Quite el elemento y límpielo.
 - d. Vuelva a colocar el elemento y la tuerca.
5. Inspeccione que los componentes de suspensión no estén desgastados o corroídos. Observe el funcionamiento de la máquina para asegurarse de que el sistema de suspensión tiene la tensión adecuada y está funcionando correctamente.
6. Si la lavadora extractora está equipada con una de las opciones de inclinación, inspeccione que la tornillería entre el mecanismo de inclinación y la lavadora extractora no presenten señales de corrosión. Verifique que dicha tornillería esté firmemente apretada.

Mantenimiento

Cuidados al acero inoxidable

Mantenga la belleza natural del acero inoxidable y prolongue su vida de servicio siguiendo estos consejos:

- Los depósitos ordinarios de polvo y grasa se pueden limpiar con agua y detergente. Debe enjuagar y secar el metal por completo después de lavarlo. La limpieza periódica ayuda a mantener una apariencia brillante en la superficie y evitar la corrosión.
- Debe evitarse lo más posible el contacto con metales distintos. Esto ayuda a evitar la corrosión galvánica cuando hay soluciones salinas o ácidas presentes.
- No se debe permitir que las soluciones salinas o acídicas se evaporen y se sequen sobre superficies de acero inoxidable. Pueden causar corrosión. Asegúrese de limpiar el acero inoxidable de cualquier residuo de solución salina o ácida.
- Los depósitos que tienden a adherirse al acero inoxidable deben ser limpiados, especialmente en los rincones y las esquinas. Al usar limpiadores abrasivos, siempre talle en la dirección de las líneas de pulido o el “grano” del acero inoxidable para evitar rayarlo. Nunca use lija de acero ordinaria o cepillos de acero sobre acero inoxidable. Use lija de acero inoxidable o cepillos suaves no abrasivos.
- Si llegara a parecer que el acero inoxidable estuviera oxidándose, la fuente de la oxidación puede ser alguna pieza de hierro o de acero, no fabricada de acero inoxidable, tal como un clavo o un tornillo. Un remedio es pintar todas las piezas de acero al carbón con un fuerte recubrimiento protector. Debe usarse tornillería de acero inoxidable siempre que sea posible.
- Los descoloramientos o el tinte producido por los sobrecalentamientos pueden limpiarse con polvos abrasivos o con soluciones químicas especiales.
- No deben dejarse soluciones desinfectantes sobre equipo de acero inoxidable durante períodos prolongados de tiempo. Generalmente contienen cloro, que puede causar corrosión. El acero inoxidable debe ser limpiado y enjuagado completamente con una solución que contenga cloro.
- Cuando se usa un sistema externo de suministro de productos químicos, asegúrese de que no ocurra un efecto de sifón de cualquiera de los productos químicos mientras la lavadora extractora no esté siendo usada. Los productos químicos a altas concentraciones pueden causar daños severos al acero inoxidable y a otros componentes de la máquina. Los daños de este tipo no están cubiertos por la garantía del fabricante. Instale la bomba abajo del nivel del punto de inyección a la lavadora extractora para evitar el efecto de sifón de productos químicos a la máquina.

Mantenimiento

Lista de revisión diaria de mantenimiento preventivo

Máquina _____	Semana de: _____						
Operador _____	Días						
Revisiones	1	2	3	4	5	6	7
¡Cumpla con todas las advertencias!							
Al comienzo del día							
1. Revise si hay fugas en las conexiones de las mangueras a las válvulas de entrada de agua en la parte de atrás de la máquina.							
2. Revise si hay fugas en las conexiones de las mangueras de vapor, cuando se aplique.							
3. Verifique que el aislante esté intacto en todos los cables externos y que todas las conexiones estén seguras.							
4. Revise el seguro y el sistema de enclavamiento de la puerta antes de comenzar a usar la lavadora extractora:							
a. Trate de arrancar la máquina con la puerta abierta.							
b. Cierra la puerta sin ponerle el seguro e intente arrancar la máquina.							
c. Cierre y ponga el seguro a la puerta y comience el ciclo. Intente abrir la puerta mientras el ciclo está funcionando.							
5.							
Al final del día							
1. Limpie el o los filtros de la caja de mando de CA.							
2. Limpie el filtro del ventilador de enfriamiento del motor.							
3. Limpie el empaque de la puerta, quitando partículas extrañas.							
4. Limpie el surtidor automático de suministros y su tapa.							
5. Limpie la parte superior y delantera de la lavadora extractora y los paneles laterales.							
6. Deje la puerta de carga abierta al final del día para que se evapore la humedad.							
7.							
<p>Nota: Saque la ropa de la máquina tan pronto como sea posible <i>después de que termine cada ciclo de lavado</i>, para evitar que se acumule humedad.</p> <p>Nota: Deje la puerta abierta <i>después de cada ciclo de lavado</i> para que se evapore la humedad.</p> <p>Nota: El reemplazo inadecuado del filtro de la caja de mando de CA ocasionará la obstrucción de la bomba.</p>							

Mantenimiento

Lista de revisión semanal de mantenimiento preventivo

Máquina _____	Mes _____				
Operador _____	Semana que termina:				
Revisiones	/	/	/	/	/
¡Cumpla con todas las advertencias!					
1. Revise si la máquina tiene fugas:					
a. Inicie un ciclo sin carga para llenar la máquina.					
b. Verifique que la puerta y el empaque no tengan fugas.					
c. Verifique que la válvula de desagüe esté funcionando.					
2.					
3.					
4.					
5.					
6.					
7.					

Mantenimiento

Lista de revisión mensual de mantenimiento preventivo

Máquina _____ Operador _____	Mes			
Revisiones				
¡Cumpla con todas las advertencias! Desconecte la corriente eléctrica a la máquina antes de realizar los procedimientos de mantenimiento mensual.				
1. Una vez al mes O después de cada 200 horas de uso , lubrique los rodamientos y sellos. (La calcomanía de lubricación de rodamientos está detrás de la unidad de suministro externo, en la parte superior derecha de la máquina).				
2. Limpie las aletas del mando de CA.				
3. Determine si las correas en V deben ser cambiadas o si necesitan ajustes:				
a. Revise si las correas en V se han desgastado en forma desigual y si tienen orillas deshilachadas.				
b. Verifique que las correas en V tengan la tensión adecuada.				
c. Verifique que las correas en V estén bien alineadas.				
4. Quite el panel posterior y revise si las mangueras tienen fugas.				
5. Limpie la malla del filtro de la manguera de entrada. Cámbiela si está desgastada o dañada.				
6. Apriete las contratuercas de los pernos de montaje del motor, las contratuercas de los pernos de los rodamientos y la polea loca, si fuera necesario.				
7. Use aire comprimido para limpiar la pelusa acumulada en el motor.				
8. Limpie el interior de la lavadora extractora, tanto la canasta como la coraza, limpiándolas con una esponja o con un trapo humedecido en agua.				
9. Use aire comprimido para asegurarse de que ninguno de los componentes eléctricos tenga humedad y polvo.				
10.				
11.				

Mantenimiento

Lista de revisión trimestral de mantenimiento preventivo

Máquina _____ Operador _____	Trimestre			
Revisiones				
¡Cumpla con todas las advertencias! Desconecte la corriente eléctrica a la máquina antes de realizar los procedimientos de mantenimiento trimestral.				
1. Apriete las bisagras y los seguros de la puerta, si fuera necesario.				
2. Apriete los pernos de anclaje, si fuera necesario.				
3. Revise todas las superficies pintadas para ver si hay metal sin pintar a la vista. Repare si fuera necesario.				
4. Limpie el filtro de vapor, si fuera necesario.				
5. Inspeccione los componentes de suspensión.				
6. En los modelos con la opción de inclinación, inspeccione que la tornillería del mecanismo de inclinación no presente señales de corrosión. Verifique que la tornillería esté firmemente apretada.				
7.				
8.				
9.				
10.				
11.				
12.				
13.				
14.				

Mantenimiento

Sección 4

Para poner fuera de servicio

Para poner fuera de servicio

En caso de que la máquina deba ser puesta fuera de servicio, siga estos pasos:

1. Desmonte el sistema de suministro por inyección de productos químicos, si la máquina cuenta con él.
 - a. Pida a un electricista capacitado que desconecte la corriente eléctrica desde su fuente al sistema de suministro por inyección de productos químicos y a la bomba de recirculación.
 - b. Siguiendo las instrucciones del fabricante, con cuidado desmonte el sistema de suministro por inyección de productos químicos de la máquina. Asegúrese de que ningún producto químico tenga contacto con la piel o la ropa.
2. Limpie el interior de la máquina, tanto la canasta como la coraza.
 - a. Enjuague el surtidor de suministros con abundante agua.
 - b. Inicie un ciclo corto de enjuague para eliminar el detergente y los residuos de productos químicos del interior de la máquina.
3. Desconecte la corriente eléctrica.
 - a. Cierre el suministro principal de energía en la caja de interruptores o en el tablero de control principal.
 - b. No intente desconectar los cables de suministro de corriente de la fuente de energía eléctrica. Haga que un electricista capacitado desconecte la corriente de la máquina.
4. Desconecte las mangueras.
 - a. Desconecte la manguera de desagüe del sumidero, de la canaleta o del drenaje.
 - b. Cierre el suministro de agua. Desconecte las mangueras de entrada de agua fría y caliente de la máquina.
 - c. Si corresponde, desconecte la fuente de aire comprimido a la máquina.
 - d. Deje que toda el agua que haya quedado en la máquina se salga. Luego desconecte la manguera de desagüe de la máquina.
 - e. Desconecte las tuberías que sea necesario en el sistema de recirculación.
5. Desconecte la manguera de suministro de vapor, si la máquina cuenta con ella.
 - a. Cierre el suministro de vapor y deje que se enfríe la válvula.
 - b. Desconecte la manguera de suministro de vapor de la máquina.

Para poner fuera de servicio

Para poner fuera de servicio (continuación)

6. Quite la máquina de sus cimientos.
 - a. Deje todos los paneles en su lugar para que la máquina tenga estabilidad al moverla.
 - b. Verifique que la puerta esté cerrada y asegurada.
 - c. Afloje y saque los pernos de anclaje que sostienen la base de la máquina al piso.
 - d. Rompa el sello que forma la lechada en cada una de las esquinas de la máquina, utilizando una barra de metal (si corresponde).
 - e. Use barras de metal en las esquinas delanteras para levantar la máquina unas cuantas pulgadas, de tal forma que las barras del montacargas puedan entrar por debajo de la máquina.
 - f. Si asegura con pernos el bastidor de la base a una tarima, se facilita el transporte al vehículo donde va a subir la máquina.